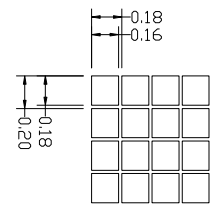
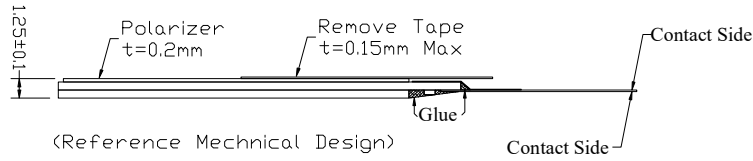
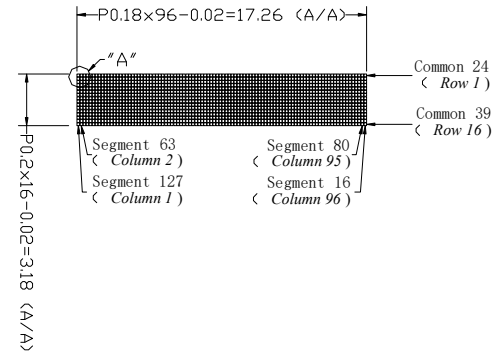
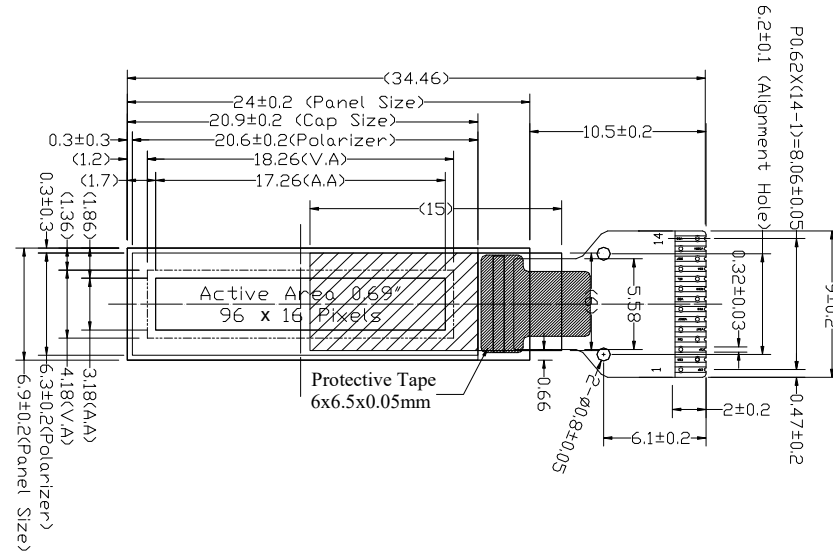


PIN DESCRIPTION	
PIN	SYMBOL
1	C2P
2	C2N
3	C1P
4	C1N
5	VBAT
6	VBREF
7	VSS
8	VDD
9	RES#
10	SCL
11	SDA
12	IREF
13	VCOMH
14	VCC



- NOTES:
- COLOR: WHITE
 - OPERATING VOLTAGE: VDD=2.8V (TYP.)
 - DRIVE DUTY: 1/16
 - DRIVER IC: SSD1312
 - OPERATING TEMP.: $-40^{\circ}\text{C} \sim 85^{\circ}\text{C}$
 - STORAGE TEMP.: $-65^{\circ}\text{C} \sim 150^{\circ}\text{C}$
 - INTERFACE: I²C
 - GENERAL TOLERANCE: $\pm 0.3 \text{ MM}$
 - ROHS COMPLIANT

MULTI-INNO TECHNOLOGY CO., LTD.			
DRAWN BY:	CAROL	2022.02.21	MODULE P/N:
CHECKED BY:			SCALE : 1/1 M19616E0-W
APPROVED BY:			UNIT: mm DESCRIPTION:
VER.	01	FIRST ISSUE	SHEET NO.: 1/1 OLED MODULE
REVISER	CAROL	DATE	VERSION NO: 01

01	FIRST ISSUE	CAROL	2022.02.21
VER.	REVISED DESCRIPTION	REVISER	DATE