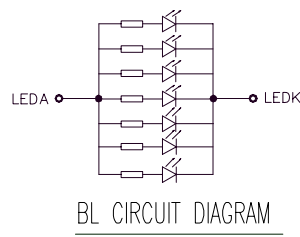
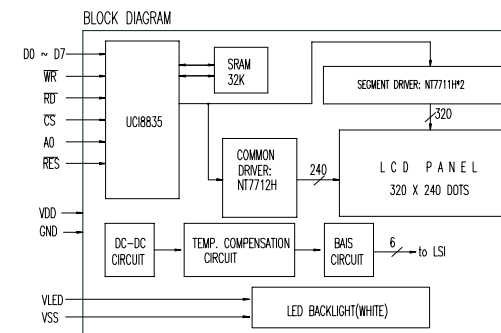


JP1&JP2 DEFINE

1	2	3	4	5	6	7	8	9	10	11	12	13	14	15	16	17	18
VSS	VDD	VLED	RES	RD	WR	CS	A0	D0	D1	D2	D3	D4	D5	D6	D7	BK-EN	VSS



NOTES:

- 1: OPERATING TEMPERATURE:  $-25^{\circ}\text{C}$  TO  $70^{\circ}\text{C}$   
STORAGE TEMPERATURE:  $-40^{\circ}\text{C}$  TO  $85^{\circ}\text{C}$
2. LCD MODEL: STN,BLUE,TRANSMISSIVE
3. 1/240 DUTY,1/17 BAIS,VLCD=25V,VDD=3.3V
4. VIEWING ANGLE: 6:00 O'CLOCK
5. BACKLIGHT:WHITE LED,IF=140mA,VF(typ.)=5.0V
6. ( ) MEANS: DIMENSION FOR REFERENCE ,  
\* MEANS: CRITICAL DIMENSION.

CUSTOMER APVL		DATE	
DRAWN	SCALE X.X ±0.5 X.XX ±0.3 ANGULAR:±1/4°	TITLE MI320240Z	
DFTG CHK	UNIT mm	MODEL	
ENGR CHK	APPROVAL	DWG NO	
MULTI-INNO TECHNOLOGY CO.,LTD.		PAGE 1/1	