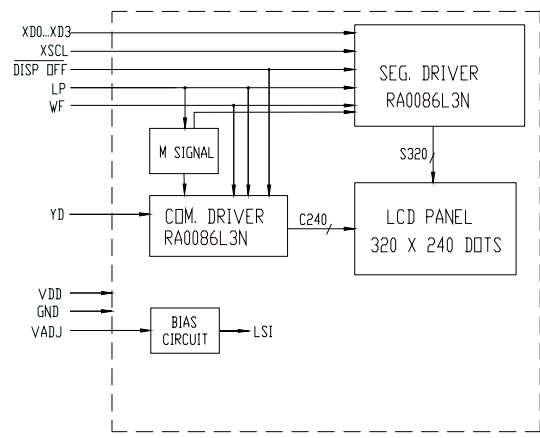


CON1

1	2	3	4
LEDA	NC	NC	LEDK

FFC

1	2	3	4	5	6	7	8
XD0	XD1	XD2	XD3	DISP OFF	YD	WF	LP
9	10	11	12	13	14		
XSCL	VDD	GND	NC	VADJ	NC		



- NOTES:
1. DISPLAY TYPE: STN/NEGATIVE/BLUE/TRANSMISSIVE
 2. OPERATING TEMP: -20°C~70°C
STORAGE TEMP : -30°C~80°C
 3. 1/240 DUTY, 1/17 BIAS, VLCD=24V, VDD=5V
 4. BACKLIGHT: WHITE LED, IF=95~115mA VF=5V

CUSTOMER APVL	CUSTOMER	DATE	
DRAWN	SCALE X.X ±0.3 X.XX ±0.2	TITLE	MI320240H-3
DFTG CHK	UNIT mm	MODEL	
ENGR CHK	APPROVAL	DWG NO	PAGE 1/1
MULTI-INNO TECHNOLOGY CO.,LTD.			