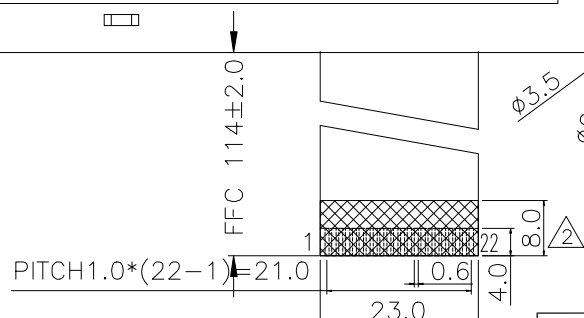
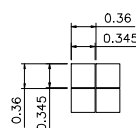
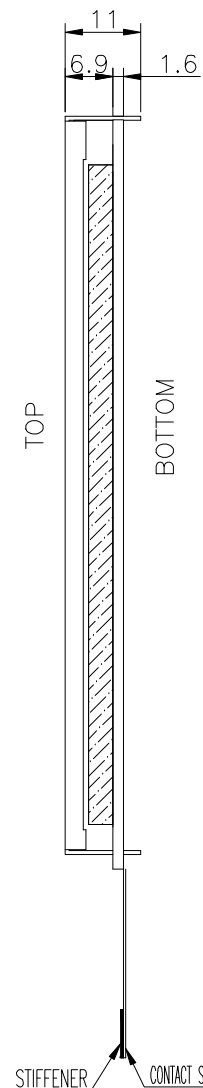


NO.	SYMBOL
1	VSS
2	VDD
3	VO
4	/WR
5	/RD
6	/CS
7	RS
8	/RST
9	DB0
10	DB1
11	DB2
12	DB3
13	DB4
14	DB5
15	DB6
16	DB7
17	NC
18	VEE
19	LEDA
20	LEDK

NO.	SYMBOL
1	VSS
2	VDD
3	VO
4	A0
5	/WR
6	/RD
7	DB0
8	DB1
9	DB2
10	DB3
11	DB4
12	DB5
13	DB6
14	DB7
15	/CS
16	/RST
17	VEE
18	SEL1
19	NC
20	NC
21	NC
22	NC



- NOTES:
1. DISPLAY TYPE: STN,BLUE.
 2. LCD DRIVE METHOD: 1/240DUTY,1/17BIAS,VOP=22V.
 3. OPERATING VOLTAGE: VDD=5.0V.
 4. VIEWING DIRECTION: 6 O'CLOCK.
 5. LCD CONTROLLER: RA8835+COG(IC).
 6. OPERATING TEMP.: -20°C ~ 70°C.
 7. STORAGE TEMP.: -30°C ~ 80°C.
 8. LED BACKLIGHT: WHITE LED.
 9. GENERAL TOLERANCE: ±0.3MM.
 10. ROHS COMPLIANT.

MIT MULTI-INNO TECHNOLOGY CO.,LTD.

DRAWN BY:	CAROL	20170629	SCALE : 1/1	MODULE P/N:
CHECKED BY:			UNIT: mm	MI320240AB-G
APPROVED BY:				DESCRIPTION:
VERSION NO:	02			GRAPHIC MODULE

VER.	REVISED DESCRIPTION	REVISER	DATE
02	DELETE CN2 ADD MARK OF FFC	RITA	2019.04.02
01	FIRST ISSUE	CAROL	2017.06.29