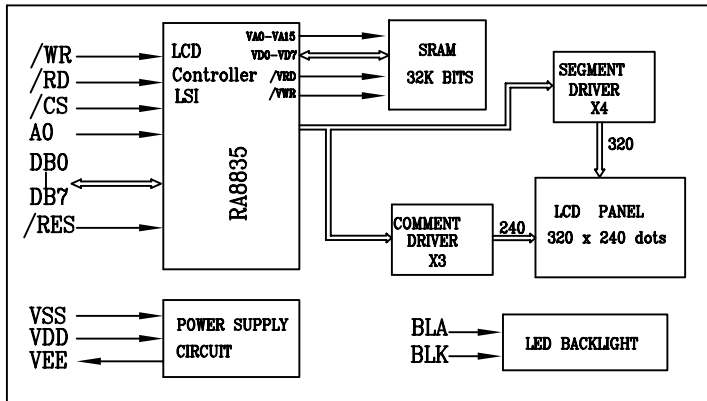


ITEM	SYMBOL	MIN.	MAX.	UNIT
POWER SUPPLY(VDD)	V _{DD}	-0.3	7.0	V
INPUT VOLTAGE	V _I	-0.3	VDD+0.3	V
OPERATING TEMP	T _{OP}	-20	+70	°C
STORAGE TEMP	T _{ST}	-30	+80	°C

CN1 DESCRIPTION			CN3 DESCRIPTION		
PIN	SYMBOL	LEVEL	PIN	SYMBOL	LEVEL
1	VSS	0V	1	VSS	0V
2	VDD	H	2	VDD	H
3	V _O	--	3	V _O	--
4	/WR	L	4	A0	H/L
5	/RD	L	5	/WR	L
6	/CS	L	6	/RD	H
7	RS	H/L	7-14	DB0-DB7	H/L
8	/RST	L	15	/CS	L
9-16	DB0-DB7	H/L	16	/RST	L
17	NC	--	17	VEE	--
18	VEE	--	18	SEL1	H/L
19	LEDA	H	19-22	NC	--
20	LEDK	L			

ITEM	STANDARD VALUE
Display Type	320 x 240 Dots
LCD Type	FSTN
Drive Method	1/240Duty, 1/17Bias, VOP:24.0V
Viewing Angle	6 O'clock ;
Backlight Color	White ;
Control IC	RA8835

Driver Diagram



MULTI-INNO TECHNOLOGY CO.,LTD.			
DRAWN BY:	CAROL 2015.10.28	SCALE : 1/1	MODULE P/N:
CHECKED BY:		UNIT: mm	MI320240AA-1
APPROVED BY:			DESCRIPTION:
VERSION NO:	01		GRAPHIC MODULE

VER.	REVISED DESCRIPTION	DATE
01	First issue	2015.10.28