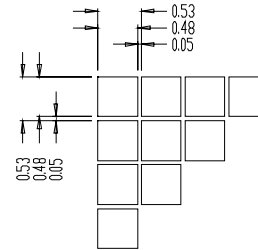
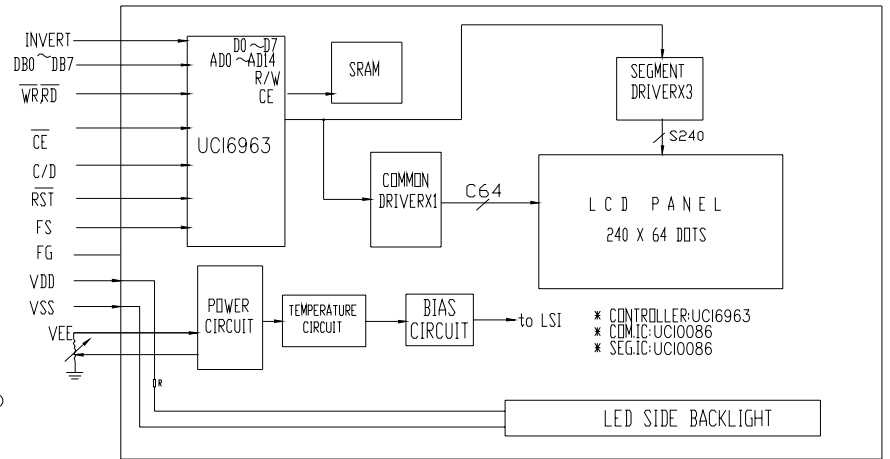


CNI


1	2	3	4	5	6	7	8	9	10	11	12	13	14	15	16	17	18	19	20
FG	VSS	VDD	VEE	WR	RD	CE	C/D	NC	RST	DB0	DB1	DB2	DB3	DB4	DB5	DB6	DB7	FS	INVERT



NOTES:

- 1: OPERATING TEMPERATURE: -20°C TO 70°C
STORAGE TEMPERATURE: -30°C TO 80°C
2. LCD MODEL: STN/BLUE/NEGATIVE/TRANSMISSIVE
3. 1/64 DUTY, 1/9 BIAS, VDP=11.0V, VDD=5.0V
4. VIEWING ANGLE: 6:00 O'CLOCK
5. LED SIDE B/L: WHITE; V=5.0V, I=140mA(TYP)
6. ROHS COMPLIANT
7. BEZEL IS TO BE PAINTED BLACK
8. (*, **): REFERENCE

01	FIRST ISSUE	2008.01.02
VER.	REVISED DESCRIPTION	DATE

 MULTI-INNO TECHNOLOGY CO.,LTD.		
DRAWN BY:	SCALE : 1/1	MODULE P/N:
CHECKED BY:	UNIT: mm	MI24064P
APPROVED BY:	DESCRIPTION:	GRAPHIC MODULE
VERSION NO: 01		