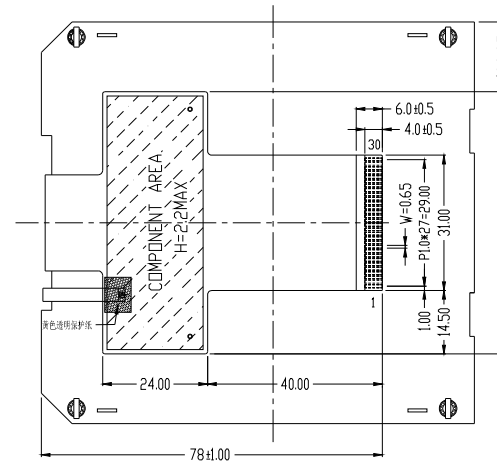
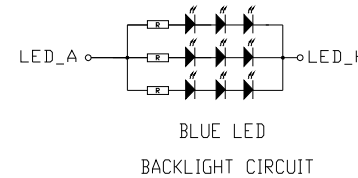
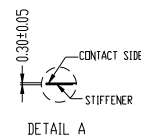
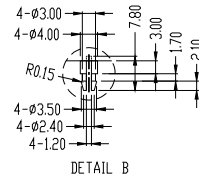


FPC弯折出货



FPC PIN DESCRIPTION

PIN	NAME
1	LED_K
2	LED_A
3	GND
4	VDDT2
5	RWR0B_SDI
6	RS
7	RESETB
8	EV0B_SCL
9	IM0
10	IM1
11	IM2
12	CSB
13	VCC
14	VPP
15	DB0
16	DB1
17	DB2
18	DB3
19	DB4
20	DB5
21	DB6
22	DB7
23	DB8
24	DB9
25	DB10
26	DB11
27	DB12
28	DB13
29	DB14
30	DB15



NOTES:

1. OPERATING TEMPERATURE: -20°C TO 80°C  
STORAGE TEMPERATURE: -30°C TO 80°C
2. LCD MODEL: FSTN/POSITIVE/TRANSFLECTIVE
3. 1/240 DUTY, 1/16 BAIS, VLCD=25V, VDD=3.3V
4. VIEWING ANGLE: 12:00 O'CLOCK
5. IC DRIVER: IT3088
6. BACKLIGHT: BLUE LED, VF=12V, IF=45mA (TYPE)



MULTI-INNO TECHNOLOGY CO.,LTD.

DRAWN BY:	RITA	2018.01.03	SCALE : 1/1	MODULE P/N:
CHECKED BY:			UNIT:	MI221221A-G
APPROVED BY:			mm	DESCRIPTION:
VERSION NO:	01			GRAPHIC MODULE

01	FIRST ISSUE	RITA	2018.01.03
VER.	REVISED DESCRIPTION	REVISER	DATE