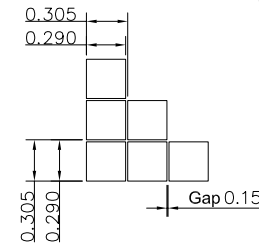
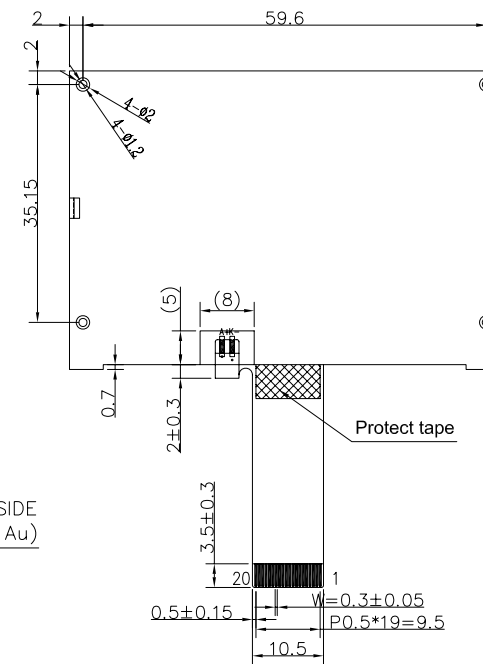


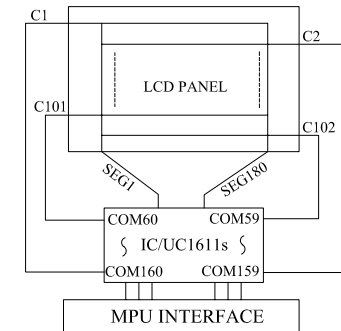
SECTION A-A'



DOTS DETAIL 20x

PIN FUNCTION

Pin	Pin Description
1	VB0+
2	VB1+
3	VB1-
4	VB0-
5	VA0+
6	VA1+
7	VA1-
8	VA0-
9	VLCD
10	VDD
11	VSS
12	BM0
13	CD
14	CS0
15	RST
16	SCK(D0)
17	SDA(D3)
18	D13
19	A+
20	K-



LCD LAYOUT

↑ 6 O'CLOCK VIEWING DIRECTION

NOTES:

- 1.DISPLAY TYPE:FSTN
- 2.VIEW DIRECTION:6 O'CLOCK
- 3.POLARIZER TYPE: TRANSFLECTIVE/POSITIVE
- 4.DRIVER METHOD:1/102 DUTY 1/12 BIAS
- 5.LCD DRIVING VOLTAGE:14.5V
- 6.LOGIC SUPPLY VOLTAGE: 3.0V
- 7.OPERATING TEMP: -20°C~+70°C
- 8.STORAGE TEMP: -30°C~+80°C
- 9.CONTROLLER/DRIVE IC:UC1611s
- 10.INTERFACE: S8(4-WIRE)/S9(3-WIRE)/I2C
- 11.BACKLIGHT: AMBER (LED 4 SMD) Vf=1.95V,If=60mA (typ.)
- 12.CONNECTOR TYPE: COG+FPC
- 13.OTHER TOLERANCE: ±0.2mm
- 14.RoHS COMPLIANT

CUSTOMER APVL		DATE	2014/03/10
DRAWN	TOLERANCE ±0.2	TITLE MI180102A-G-1	
DFTG CHK	UNIT mm	MODEL	
ENGR CHK		DWG NO 03	
APPROVAL		PAGE 1/1	
MULTI-INNO TECHNOLOGY CO.,LTD.			