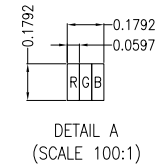



PIN DESCRIPTION FOR CN1	
PIN	SYMBOL
1	RX00-
2	RX00+
3	RX01-
4	RX01+
5	RX02-
6	RX02+
7	GND
8	RXOCLK-
9	RXOCLK+
10	RX03-
11	RX03+
12	RXE0-
13	RXE0+
14	GND
15	RXE1-
16	RXE1+
17	GND
18	RXE2-
19	RXE2+
20	RXECLK-
21	RXECLK+
22	RXE3-
23	RXE3+
24	GND
25	NC
26	NC
27	NC
28	VDD
29	VDD
30	VDD
PIN DESCRIPTION FOR CN2	
PIN	SYMBOL
1	VLED
2	GND
3	VLED_EN
4	VPWM_EN
5	NC

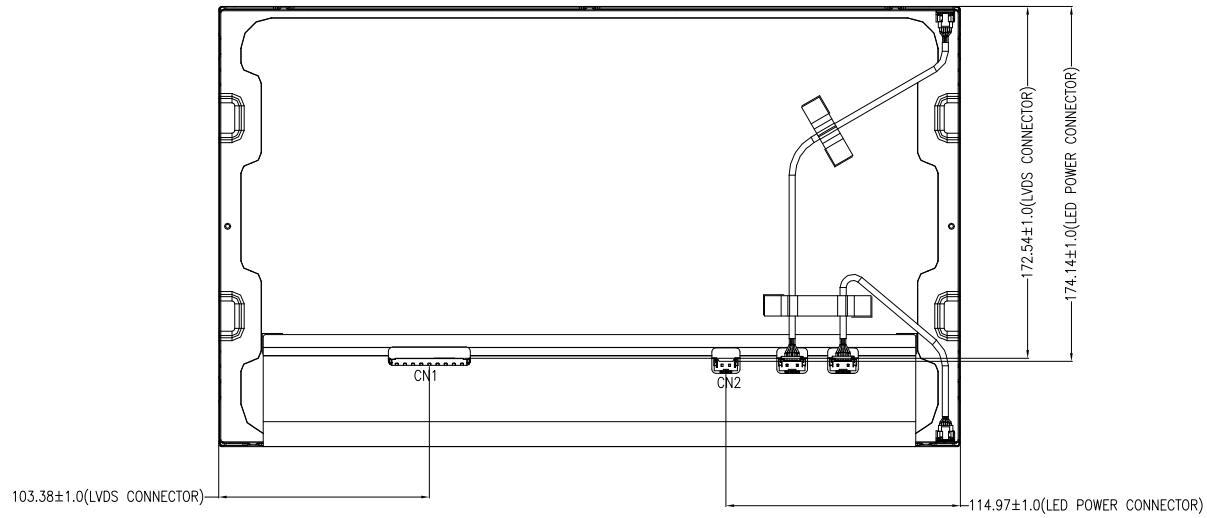


NOTES:

1. DISPLAY TYPE: TFT, TRANSMISSIVE, NORMALLY BLACK
2. OPERATING VOLTAGE: VDD=3.3V (TYP.)
3. VIEWING DIRECTION: FULL VIEWING ANGLE
4. DRIVER IC:
5. OPERATING TEMP.: -30°C ~ 85°C
6. STORAGE TEMP.: -30°C ~ 85°C
7. LED BACKLIGHT: WHITE LED  
BUILT-IN BACKLIGHT DRIVER: VLED=12V
8. SURFACE LUMINANCE: 1000 CD/M<sup>2</sup> (TYP.)
9. TOP POLARIZER SURFACE TREATMENT: ANTI-GLARE
10. CONNECTOR TYPE:  
CN1: P-TWO 187034-3009 OR STM MSBKT2407P30HB  
CN2: ENTERY 3808K-F05N-02 OR COMPATIBLE
11. GENERAL TOLERANCE: ±0.5MM
12. ROHS COMPLIANT

 MULTI-INNO TECHNOLOGY CO., LTD.			
DRAWN BY:	CAROL	2021.10.08	MODULE P/N:
CHECKED BY:			M11560LT-1
APPROVED BY:			DESCRIPTION:
VERSION NO:	01		TFT MODULE
		SCALE : 1/1	UNIT: mm
		SHEET NO: 1/2	

01	FIRST ISSUE	CAROL	2021.10.08
VER.	REVISED DESCRIPTION	REVISER	DATE



MULTI-INNO TECHNOLOGY CO., LTD.

DRAWN BY:	CAROL	2021.10.08		MODULE P/N:
CHECKED BY:			SCALE : 1/1	M1560LT-1
APPROVED BY:			UNIT: mm	DESCRIPTION:
VERSION NO:	01		SHEET NO.: 2/2	TFT MODULE

01	FIRST ISSUE	CAROL	2021.10.08
VER.	REVISED DESCRIPTION	REVISER	DATE