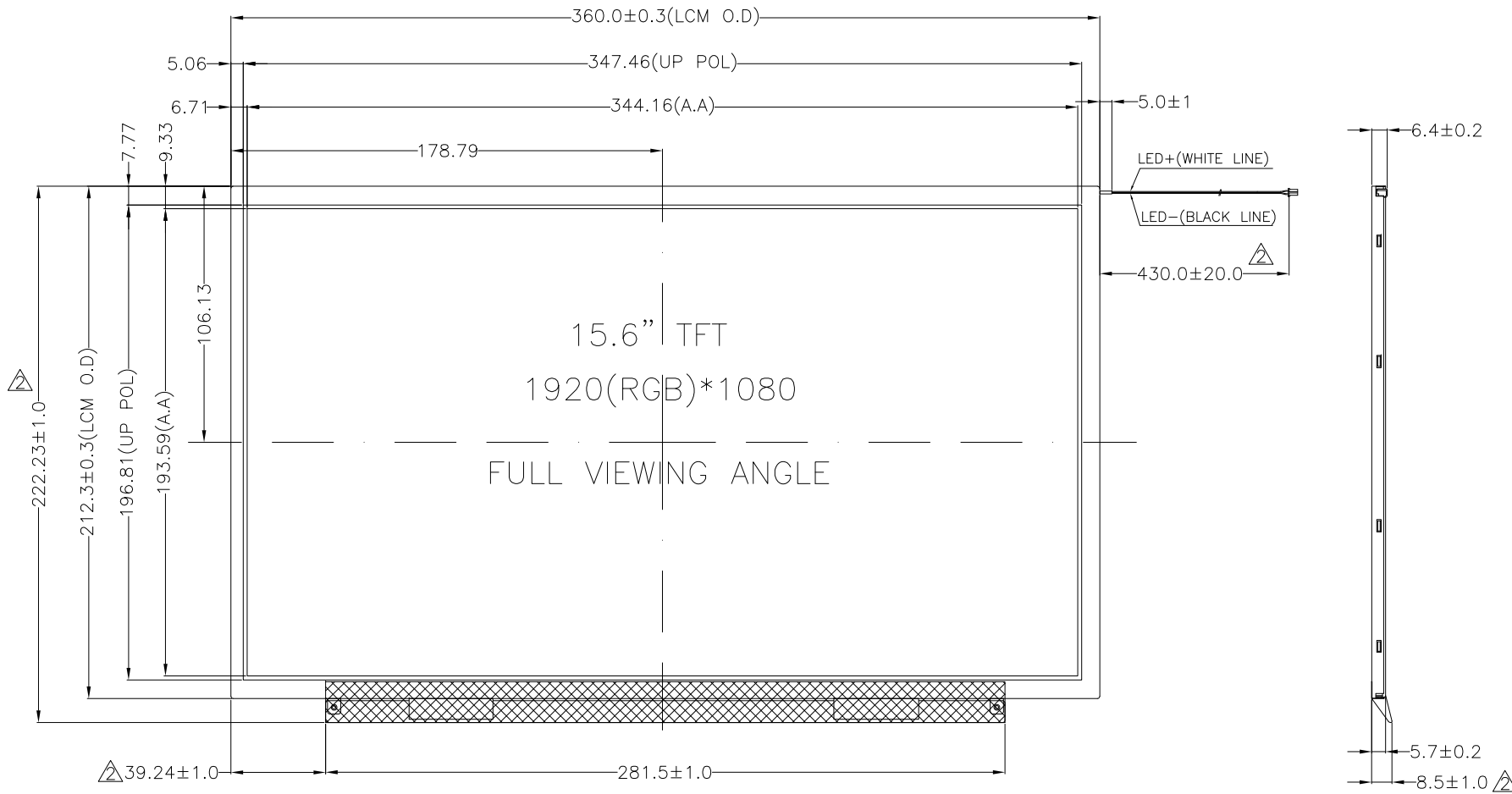


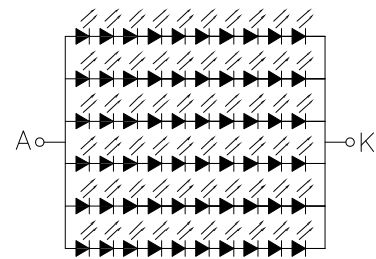
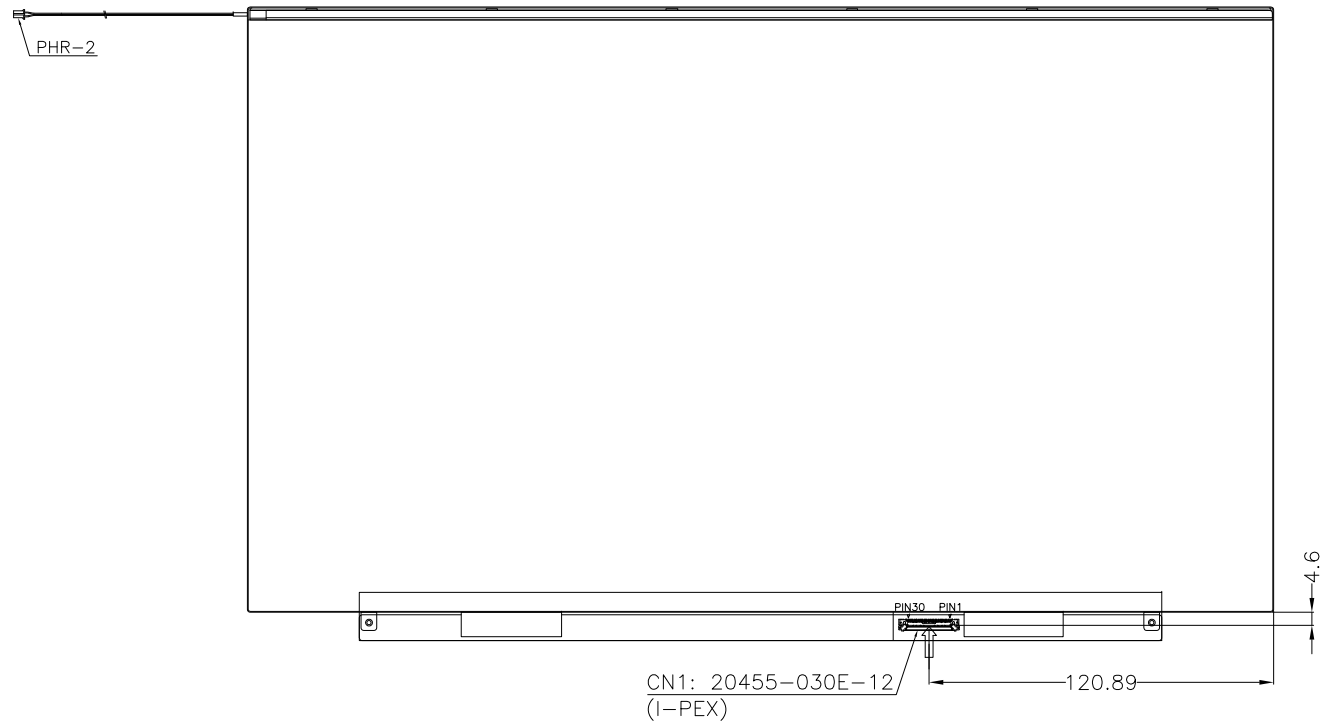
TFT PIN DESCRIPTION	
PIN	NAME
1	NC
2	H-GND
3	LANE1-N
4	LANE1-P
5	H-GND
6	LANE0-N
7	LANE0-P
8	H-GND
9	AUX-CH-P
10	AUX-CH-N
11	H-GND
12	LCD-VCC
13	LCD-VCC
14	NC
15	LCD-GND
16	LCD-GND
17	HPD
18	NC
19	NC
20	NC
21	NC
22	NC
23	NC
24	NC
25	NC
26	NC
27	NC
28	NC
29	NC
30	NC




- NOTES:
1. DISPLAY TYPE: TFT, TRANSMISSIVE, NORMALLY BLACK.
 2. OPERATING VOLTAGE: LCD-VCC=3.3V
 3. VIEWING DIRECTION: FULL VIEWING ANGLE.
 4. IC DRIVER: TBD.
 5. OPERATING TEMP: -10°C ~ 50°C.
 6. STORAGE TEMP: -20°C ~ 60°C.
 7. LED BACKLIGHT: 60-CHIP WHITE LED, If=360mA, Vf=26.8V-30.8V.
 8. LCM SURFACE LUMINANCE: 800cd/m².
 9. TOP POLARIZER SURFACE TREATMENT: ANTI-GLARE.
 10. GENERAL TOLERANCE: ±0.5mm.
 11. ROHS COMPLIANT.

MULTI-INNO TECHNOLOGY CO., LTD.

02	REVISED LCM TOLERANCE DIMENSION. REVISED BACKLIGHT VOLTAGE. REVISED PIN18-PIN30 INTERFACE DEFINITION.	CAROL	2020.04.14	DRAWN BY: CAROL 2019.10.10		MODULE P/N:
01	FIRST ISSUE	CAROL	2019.10.10	CHECKED BY:	SCALE : 1/1	M1560IT-2
VER.	REVISED DESCRIPTION	REVISER	DATE	APPROVED BY:	UNIT: mm	DESCRIPTION:
				VERSION NO: 02	SHEET NO.: 1/2	TFT MODULE



BACKLIGHT CIRCUIT DIAGRAM

 MULTI-INNO TECHNOLOGY CO., LTD.			
DRAWN BY:	CAROL	2019.10.10	MODULE P/N:
CHECKED BY:			MI1560IT-2
APPROVED BY:			DESCRIPTION:
VERSION NO:	02		TFT MODULE
			SHEET NO.: 2/2
			UNIT: mm
			SCALE : 1/1

02	REVISED LCM TOLERANCE DIMENSION. REVISED BACKLIGHT VOLTAGE. REVISED PIN18-PIN30 INTERFACE DEFINITION.	CAROL	2020.04.14
01	FIRST ISSUE	CAROL	2019.10.10
VER.	REVISED DESCRIPTION	REVISER	DATE