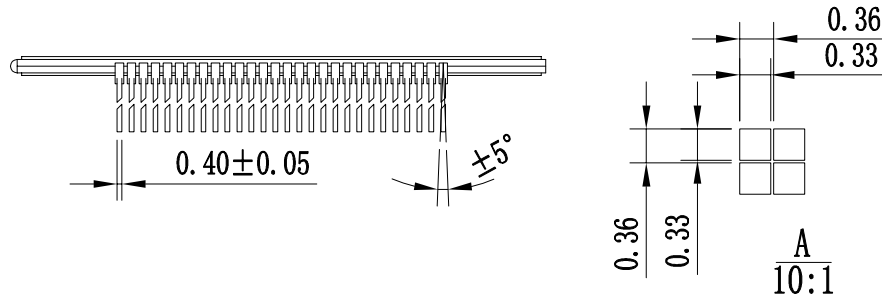
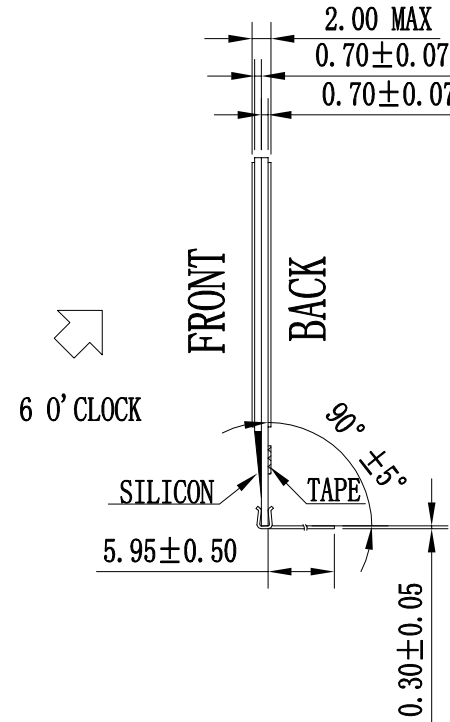
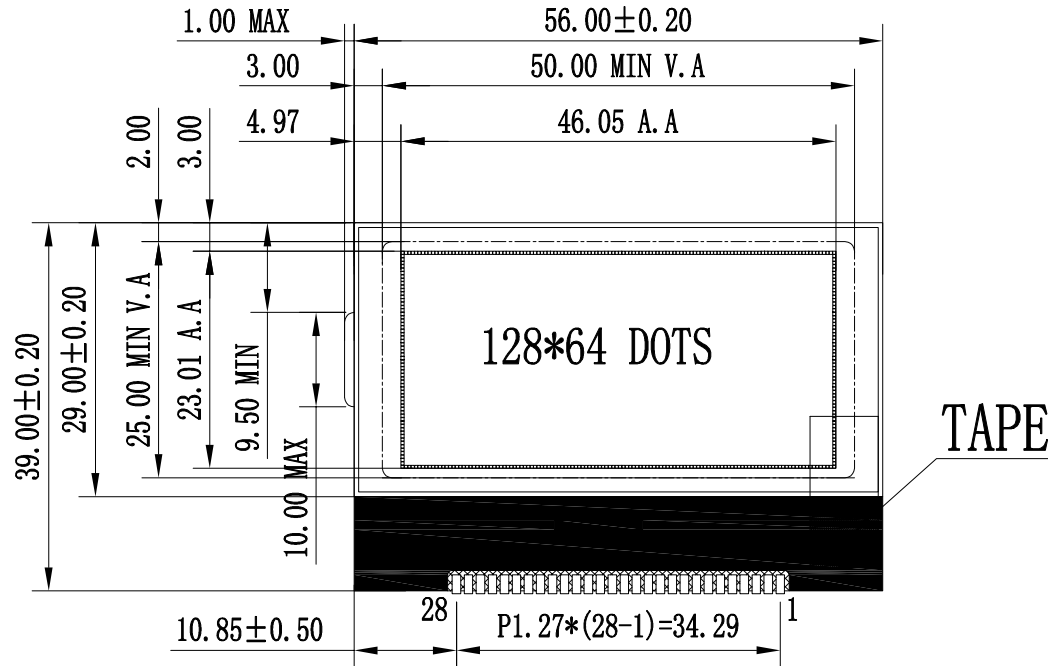


PIN DESCRIPTION	
PIN	SYMBOL
1	/CS1
2	/RES
3	A0
4	/WR
5	/RD
6	D0
7	D1
8	D2
9	D3
10	D4
11	D5
12	D6
13	D7
14	VDD
15	VSS
16	VOUT
17	CAP3P
18	CAP1N
19	CAP1P
20	CAP2P
21	CAP2N
22	V4
23	V3
24	V2
25	V1
26	V0
27	C86
28	P/S



	SEG0	SEG127	
COM63			COM63
COM31			COM32
COM0			

NOTES:

1. DISPLAY TYPE: FSTN, TRANSFLECTIVE, POSITIVE
2. OPERATING VOLTAGE: VDD=3.0V, VOP=9.0V
3. DRIVE METHOD: 1/65DUTY, 1/9BIAS
4. VIEWING DIRECTION: 6 O'CLOCK
5. DRIVER IC: ST7565P
6. OPERATING TEMP.: -20°C ~ 70°C
7. STORAGE TEMP.: -30°C ~ 80°C
8. LED BACKLIGHT: -
9. ONLY THE SINGLE LAYER AREA ON FPC IS BENDABLE AND THE MINIMUM BEND RADIUS IS 1.5MM
10. GENERAL TOLERANCE: ±0.3MM
11. ROHS COMPLIANT

MULTI-INNO TECHNOLOGY CO., LTD.			
DRAWN BY:	CAROL	2023.02.11	MODULE P/N: MI12864CF-G
CHECKED BY:			
APPROVED BY:			DESCRIPTION: GRAPHIC MODULE
VERSION NO:	01		
		SCALE : 1/1	UNIT: mm
		SHEET NO.: 1/1	

01	FIRST ISSUE	CAROL	2023.02.11
VER.	REVISED DESCRIPTION	REVISER	DATE