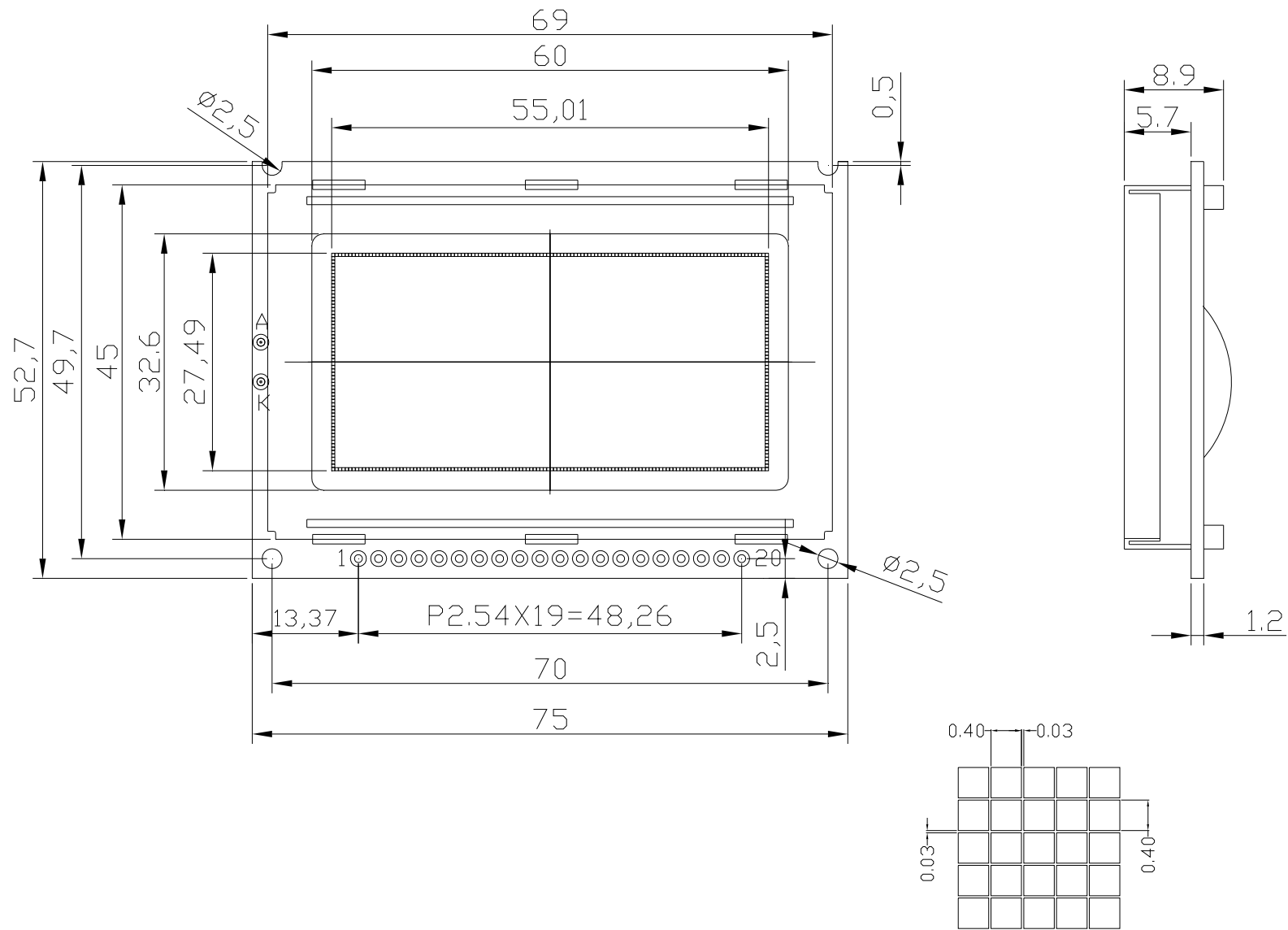


PIN ASSIGNMENT	
NO.	SYMBOL
1	VDD
2	VSS
3	V0
4	DB0
5	DB1
6	DB2
7	DB3
8	DB4
9	DB5
10	DB6
11	DB7
12	CS1
13	CS2
14	RST
15	R/W
16	D/I
17	E
18	VEE
19	A
20	K



NOTES:

1. DISPLAY TYPE: STN(YELLOW-GREEN)
2. DRIVE METHOD: 1/64 DUTY, 1/9 BIAS, VOP=10.5V, VDD=5.0V
3. VIEWING DIRECTION: 6:00 O'CLOCK
4. DRIVER IC: AIP31107+AIP31108
5. OPERATING TEMP: -20°C ~ 70°C
6. STORAGE TEMP: -30°C ~ 80°C
7. BACKLIGHT: YELLOW-GREEN LED
8. RoHS COMPLIANT



MULTI-INNO TECHNOLOGY CO., LTD.

DRAWN BY:	CAROL 2017.02.27	SCALE : 1/1	MODULE P/N:
CHECKED BY:		UNIT: mm	M12864BI
APPROVED BY:			DESCRIPTION:
VERSION NO:	01		GRAPHIC MODULE

01	FIRST ISSUE	CAROL	2017.02.27
VER.	REVISED DESCRIPTION	REVISER	DATE