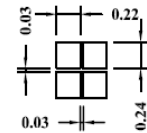
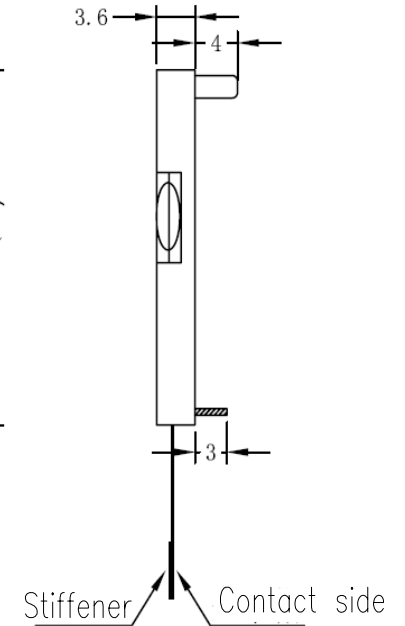
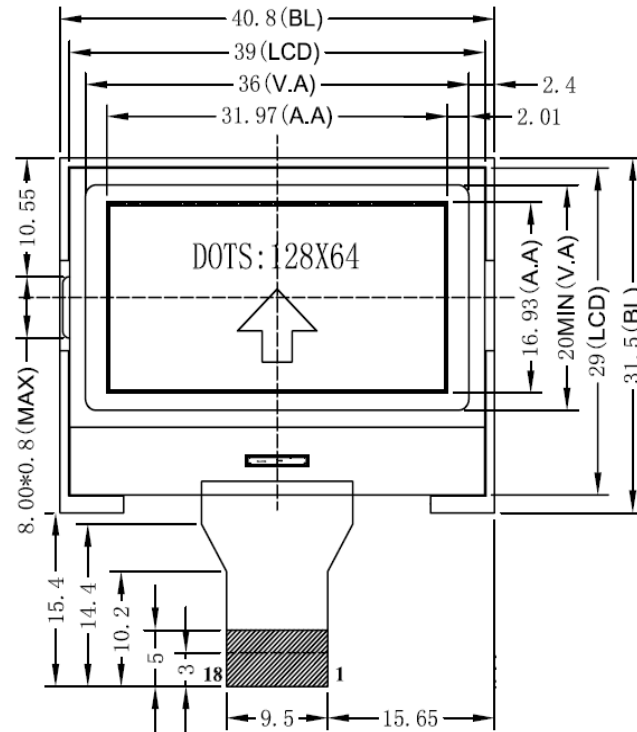
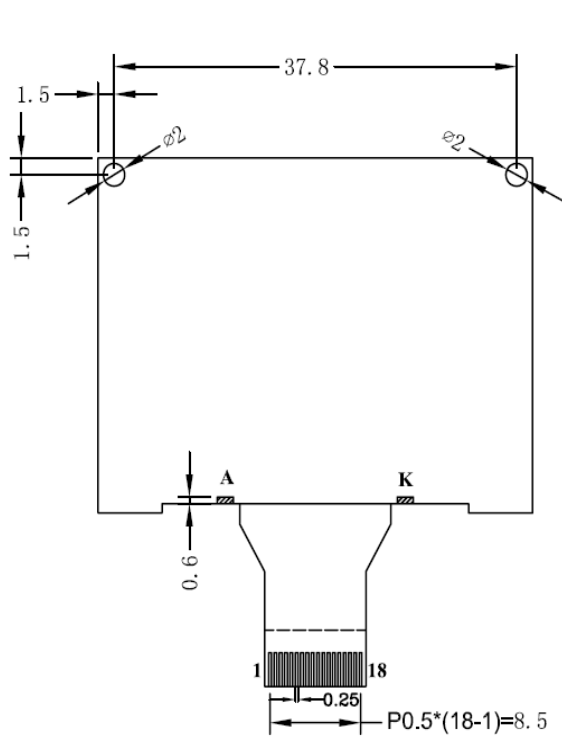


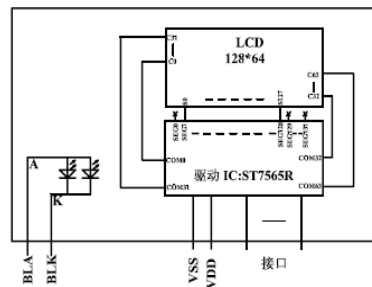
PIN	DESC
1	CS
2	RST
3	A0
4	SCLCK
5	SDA
6	VDD
7	VSS
8	VOUT
9	C3+
10	C1-
11	C1+
12	C2+
13	C2-
14	V4
15	V3
16	V2
17	V1
18	V0



SCALE: 10:1

NOTES:

1. DISPLAY TYPE: FSTN, POSITIVE, TRANSLUCTIVE.
2. OPERATING VOLTAGE: VDD=3.3V.
3. VIEWING DIRECTION: 6 O'CLOCK.
4. IC DRIVER: ST7565R.
5. OPERATING TEMP: -20°C ~ 70°C.
6. STORAGE TEMP: -30°C ~ 80°C.
7. LED BACKLIGHT: WHITE LED, If=16~40mA, Vf=3.3V.
8. GENERAL TOLERANCE: ±0.2.
9. RoHS COMPLIANT.



<b>MULTI-INNO TECHNOLOGY CO.,LTD.</b>			
DRAWN BY:	CAROL 2015.03.12	SCALE : 1/1	MODULE P/N:
CHECKED BY:		UNIT:	M12864AY-G
APPROVED BY:		mm	DESCRIPTION:
VER.	01	01	GRAPHIC MODULE

VER.	DESCRIPTION	DATE	VERSION NO:
01	FIRST ISSUE	2015.03.12	01