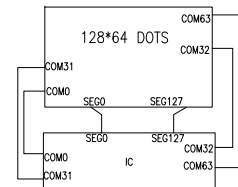
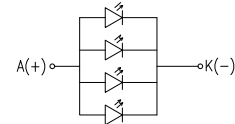
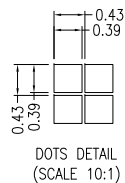
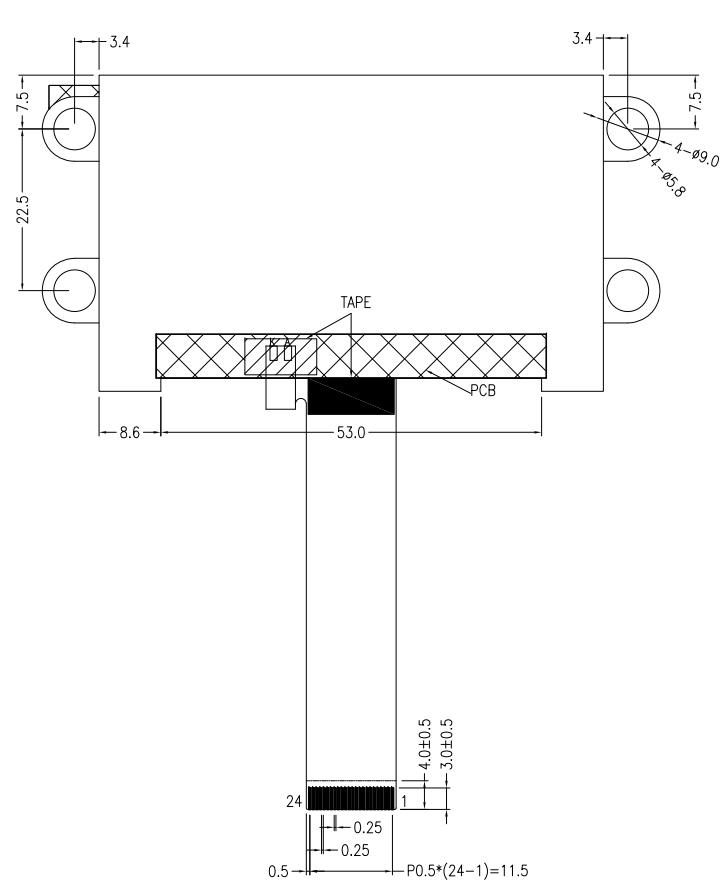
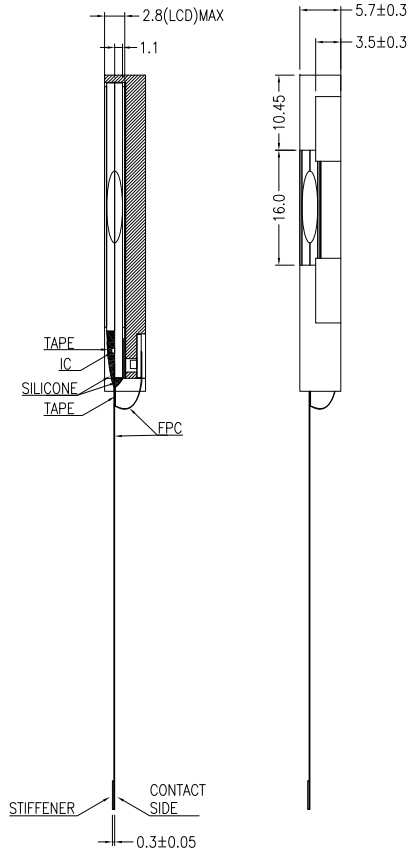
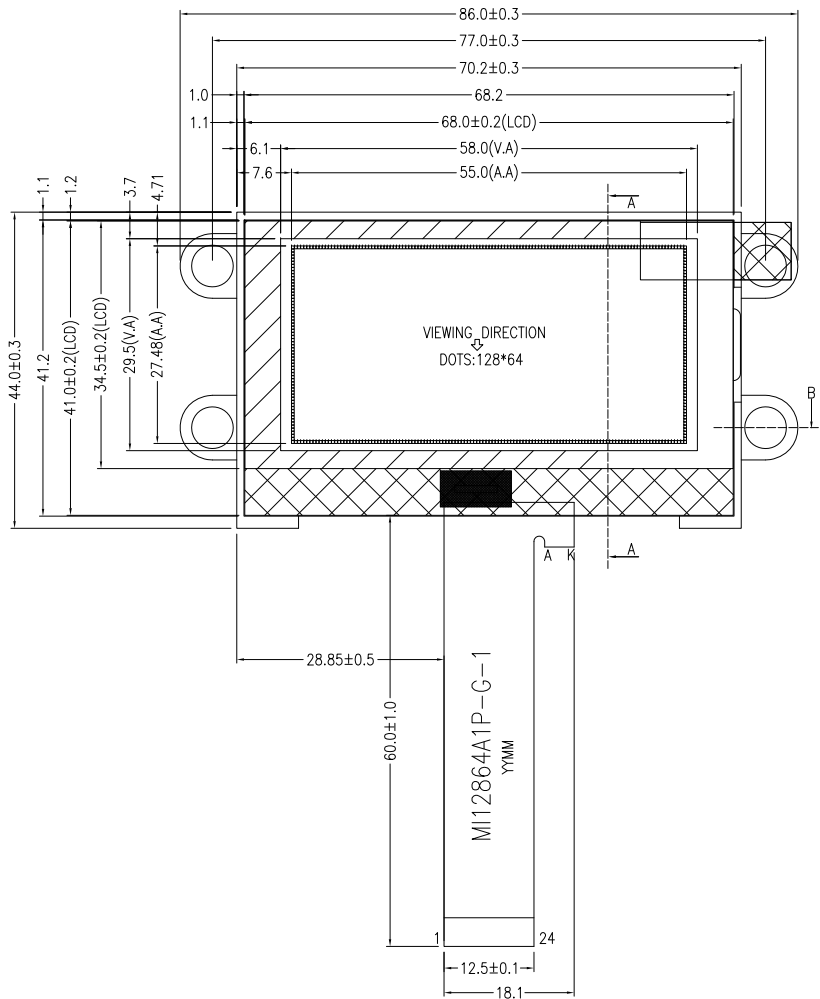


PIN DESCRIPTION	
PIN	SYMBOL
1	NC
2	VG
3	NC
4	NC
5	NC
6	NC
7	XV0
8	VO
9	NC
10	NC
11	NC
12	NC
13	VSS
14	VDD
15	DB7(SDA)
16	DB6(SCL)
17	RS
18	/RST
19	/CS1
20	NC
21	K
22	K
23	A



NOTES:

1. DISPLAY TYPE: FSTN, TRANSFLECTIVE, POSITIVE
2. OPERATING VOLTAGE: VDD=3.0V, VOP=8.25V
3. DRIVE METHOD: 1/65DUTY, 1/9BIAS
4. VIEWING DIRECTION: 12 O'CLOCK
5. DRIVER IC: ST7567-G4D-1
6. OPERATING TEMP.: -20°C ~ 70°C
7. STORAGE TEMP.: -30°C ~ 80°C
8. LED BACKLIGHT: 4-CHIP WHITE LED, If=60mA, Vf=3.1V~3.5V
9. THE SINGLE LAYER AREA OF FPC IS BENDBLE AND THE BENDING RADIUS MUST BE NOT LESS THAN 1.5MM
10. GENERAL TOLERANCE: ±0.2MM
11. ROHS COMPLIANT

MULTI-INNO TECHNOLOGY CO., LTD.			
DRAWN BY:	CAROL	2021.11.02	MODULE P/N:
CHECKED BY:			MI12864A1P-G-1
APPROVED BY:			SCALE : 1/1
VERSION NO:	01		UNIT: mm
			SHEET NO.: 1/1
			DESCRIPTION:
			GRAPHIC MODULE

Q1	FIRST ISSUE	CAROL	2021.11.02
VER.	REVISED DESCRIPTION	REVISER	DATE