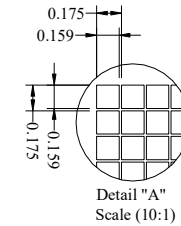
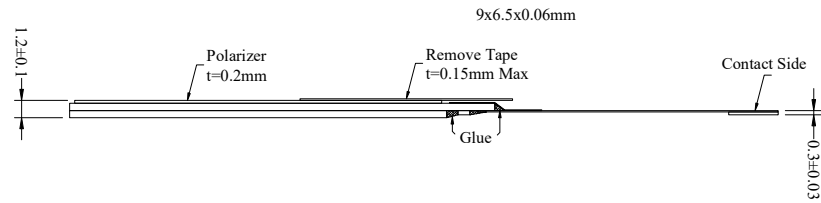
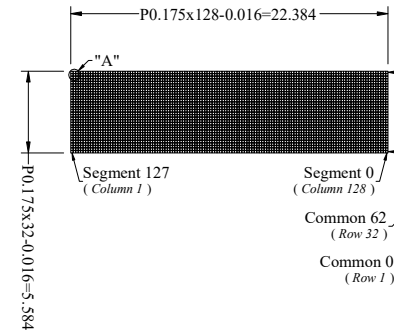
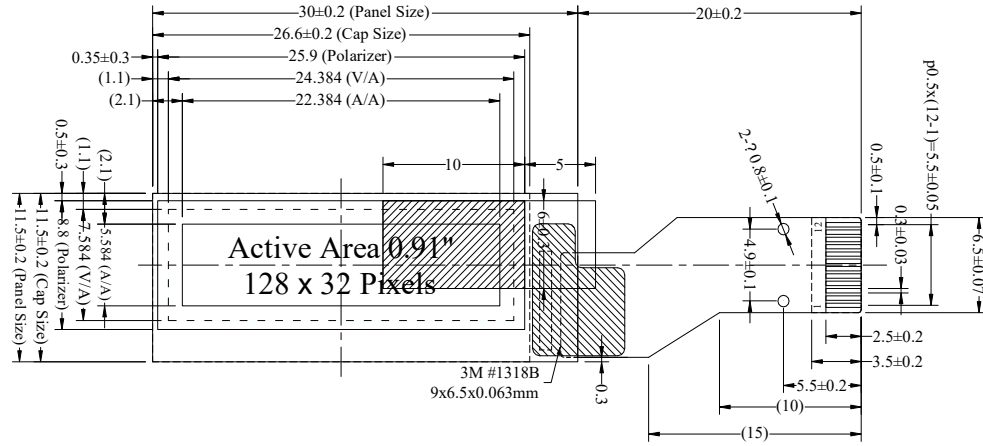


PIN DESCRIPTION

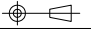
PIN	SYMBOL
1	BAT
2	VSS
3	VSS
4	VDD
5	CS#
6	RES#
7	D/C#
8	SCLK
9	SDIN
10	IREF
11	VCOMH
12	VCC



NOTES:

- COLOR: BLUE
- OPERATING VOLTAGE: VDD=2.8V (TYP.)
- DRIVE DUTY: 1/32
- DRIVER IC: SSD1306
- OPERATING TEMP.: -40°C ~ 85°C
- STORAGE TEMP.: -40°C ~ 85°C
- INTERFACE: 4-WIRE SPI
- GENERAL TOLERANCE: ±0.3MM
- ROHS COMPLIANT

 MULTI-INNO TECHNOLOGY CO., LTD.

DRAWN BY:	RITA	2021.08.17		MODULE P/N:
CHECKED BY:			SCALE : 1/1	MI12832D10-B
APPROVED BY:			UNIT: mm	DESCRIPTION:
VERSION NO:	01		SHEET NO.: 1/1	OLED MODULE

01	FIRST ISSUE	RITA	2021.08.17
VER.	REVISED DESCRIPTION	REVISER	DATE