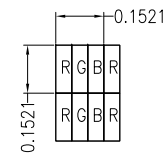
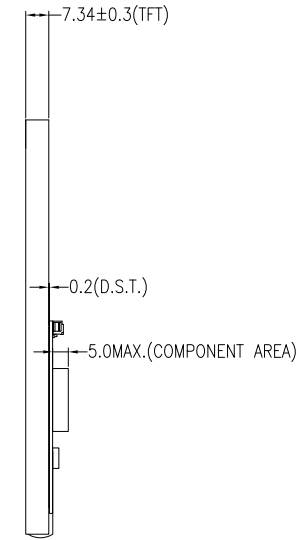
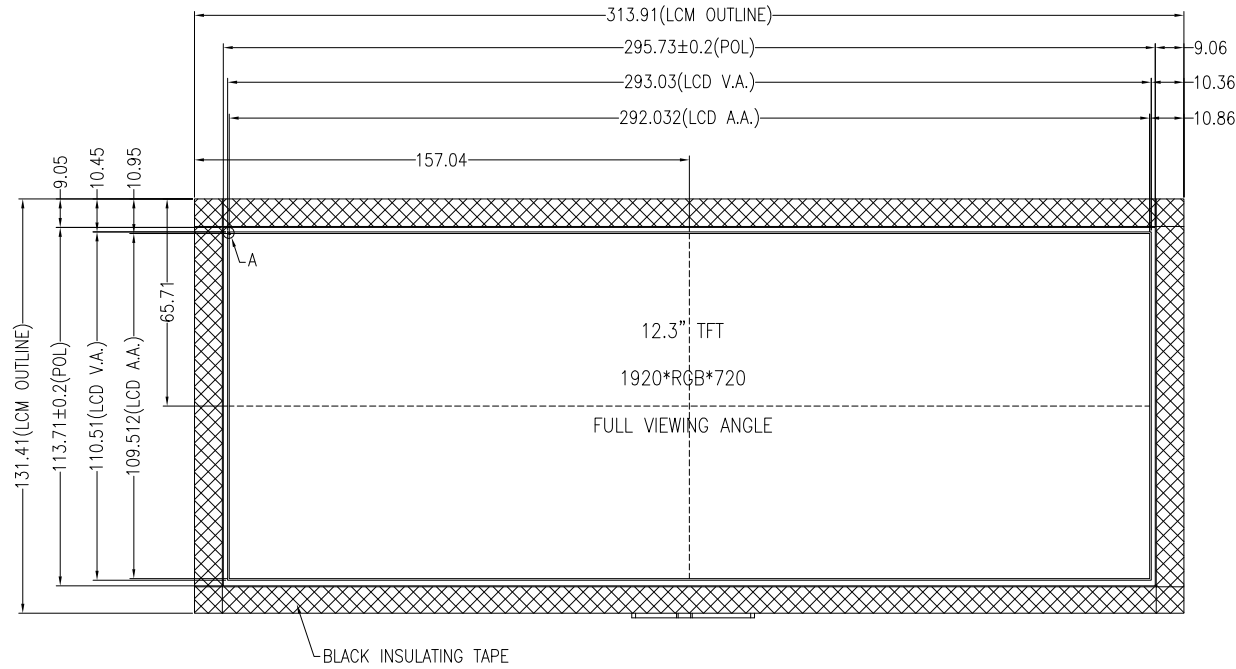


PIN DESCRIPTION FOR CN3		PIN DESCRIPTION FOR CN1	
PIN	SYMBOL	PIN	SYMBOL
1	GND	1	NC
2	LED+(12V)	2	VDD
		3	VDD
		4	NC
		5	NC
		6	NC
		7	GND
		8	OLV0-
		9	OLV0+
		10	GND
		11	OLV1-
		12	OLV1+
		13	GND
		14	OLV2-
		15	OLV2+
		16	GND
		17	OLVCLK-
		18	OLVCLK+
		19	GND
		20	OLV3-
		21	OLV3+
		22	GND
		23	NC
		24	NC
		25	GND
		26	NC
		27	NC
		28	GND
		29	NC
		30	GND
		31	LED-
		32	LED-
		33	GND
		34	NC
		35	NC
		36	GND
		37	GND
		38	NC
		39	LED+
		40	LED+



DETAIL A  
(SCALE 100:1)

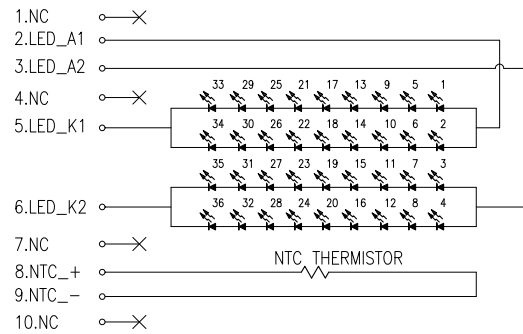
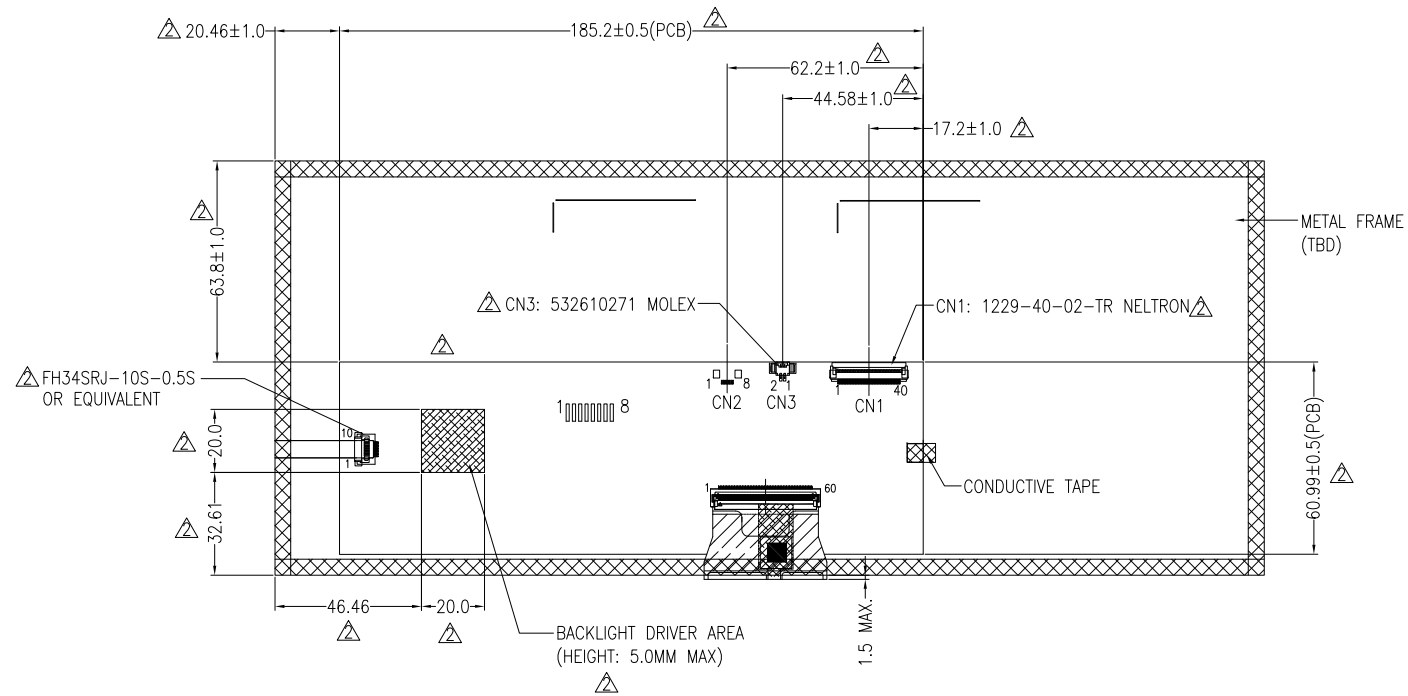
NOTES:

1. DISPLAY TYPE: TFT, TRANSMISSIVE, NORMALLY BLACK
2. OPERATING VOLTAGE: VDD=3.3V (TYP.)
3. VIEWING DIRECTION: FULL VIEWING ANGLE
4. DRIVER IC: HX82102+HX8692
5. OPERATING TEMP.: -30°C ~ 85°C
6. STORAGE TEMP.: -40°C ~ 90°C
7. LED BACKLIGHT: 36-CHIP WHITE LED, IF=360mA, VF=25.2V~29.7V
8. SURFACE LUMINANCE: 1000CD/M<sup>2</sup> (TYP.)
9. TOP POLARIZER SURFACE TREATMENT: GLARE
10. GENERAL TOLERANCE: ±0.5MM
11. ROHS COMPLIANT

02	MODIFY BACKLIGHT CIRCUIT DIAGRAM	CAROL	2022.11.01	CHECKED BY:	CAROL 2022.08.31	SCALE : 1/1	MODULE P/N:
01	MODIFY PCB BOARD DESIGN AND RELATED DIMENSIONS	CAROL	2022.08.31	APPROVED BY:		UNIT: mm	MI1230ET-1
VER.	REVISED DESCRIPTION	REVISER	DATE	VERSION NO:	02	SHEET NO.: 1/2	DESCRIPTION:
							TFT MODULE



MULTI-INNO TECHNOLOGY CO., LTD.



BACKLIGHT CIRCUIT DIAGRAM



MULTI-INNO TECHNOLOGY CO., LTD.

02	MODIFY BACKLIGHT CIRCUIT DIAGRAM MODIFY PCB BOARD DESIGN AND RELATED DIMENSIONS	CAROL	2022.11.01	CHECKED BY:	CAROL 2022.08.31		SCALE : 1/1	MODULE P/N:	MI1230ET-1
01	FIRST ISSUE	CAROL	2022.08.31	APPROVED BY:		UNIT: mm		DESCRIPTION:	TFT MODULE
VER.	REVISED DESCRIPTION	REVISER	DATE	VERSION NO:	02	SHEET NO.:	2/2		