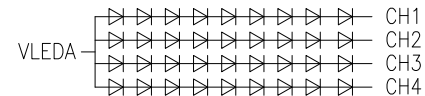


DETAIL A
SCALE 100:1

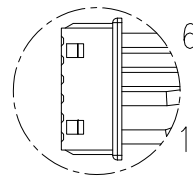
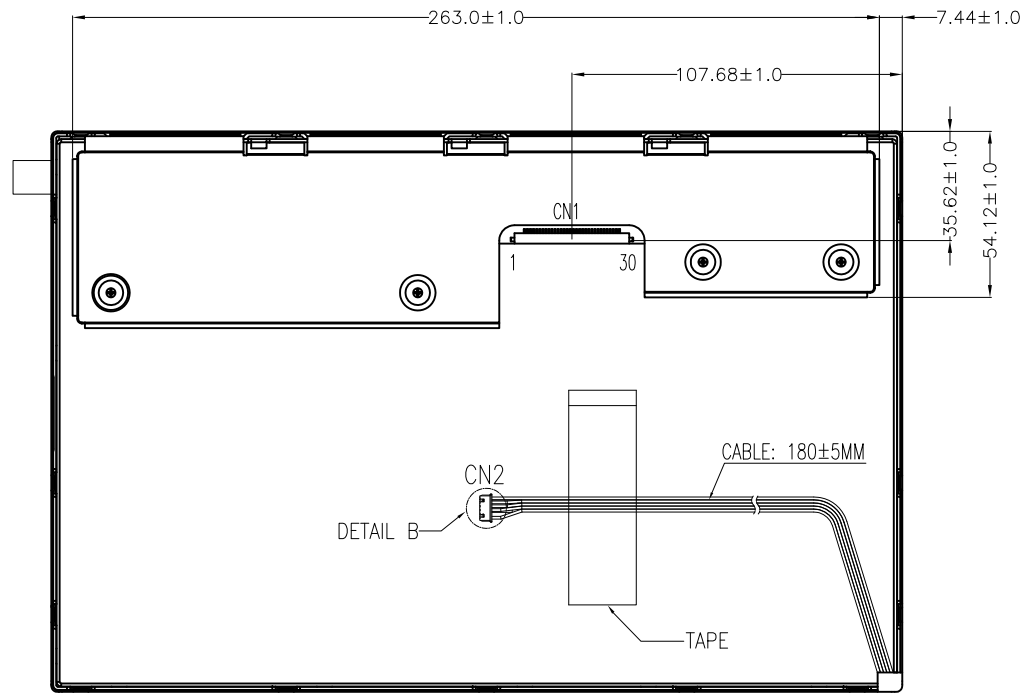


BACKLIGHT CIRCUIT DIAGRAM

NOTES:

1. DISPLAY TYPE: IPS TFT, TRANSMISSIVE, NORMALLY BLACK.
2. OPERATING VOLTAGE: VCC=3.3V.
3. VIEWING DIRECTION: FULL VIEWING ANGLE.
4. DRIVER IC: TBD.
5. OPERATING TEMP.: -30°C ~ 80°C.
6. STORAGE TEMP.: -30°C ~ 85°C.
7. LED BACKLIGHT: 36-CHIP WHITE LED, If=180mA, Vf=59.4V(MAX.).
8. TOP POLARIZER SURFACE TREATMENT: ANTI-GLARE.
9. SURFACE LUMINANCE: 1200CD/M²(TYP).
10. CN1 CONNECTOR: P2-TWO 187114-30091 OR EQUIVALENT.
CN1 MATCHING CONNECTOR: JAE FI-X30H OR EQUIVALENT.
11. CN2 CONNECTOR: MOLEX 51021-0600 OR EQUIVALENT.
CN2 MATCHING CONNECTOR: MOLEX 53261-0671 OR EQUIVALENT.
12. GENERAL TOLERANCE: ±0.3MM.
13. ROHS COMPLIANT.

MULTI-INNO TECHNOLOGY CO., LTD.					
DRAWN BY:	CAROL	2019.11.14		MODULE P/N:	
CHECKED BY:			SCALE : 1/1	MI1210VT-1	
APPROVED BY:			UNIT: mm	DESCRIPTION:	
VER.	01	FIRST ISSUE	CAROL	2019.11.14	APPROVED BY:
VER.		REVISED DESCRIPTION	REVISER	DATE	VERSION NO: 01
			SHEET NO.: 1/2	DESCRIPTION: TFT MODULE	



DETAIL B
SCALE 5:1

CN2 PIN DESCRIPTION			CN1 PIN DESCRIPTION	
PIN	SYMBOL	COLOR	PIN	SYMBOL
1	VLEDA	RED	1	NC
2	NC	—	2	NC
3	CH1	BLACK	3	NC
4	CH2	WHITE	4	NC
5	CH3	BLUE	5	NC
6	CH4	YELLOW	6	NC
			7	NC
			8	NC
			9	VCC
			10	VCC
			11	GND
			12	GND
			13	RX0-
			14	RX0+
			15	GND
			16	RX1-
			17	RX1+
			18	GND
			19	RX2-
			20	RX2+
			21	GND
			22	RXCLK-
			23	RXCLK+
			24	GND
			25	RX3-
			26	RX3+
			27	GND
			28	SEL6/8
			29	GND
			30	NC

		MULTI-INNO TECHNOLOGY CO., LTD.				
		DRAWN BY: CAROL 2019.11.14		MODULE P/N: MI1210VT-1		
VER. 01		FIRST ISSUE	CAROL 2019.11.14	APPROVED BY:	UNIT: mm	DESCRIPTION: TFT MODULE
VER.	REVISED DESCRIPTION	REVISER	DATE	VERSION NO:	01	SHEET NO.: 2/2

01	FIRST ISSUE	CAROL	2019.11.14
VER.	REVISED DESCRIPTION	REVISER	DATE