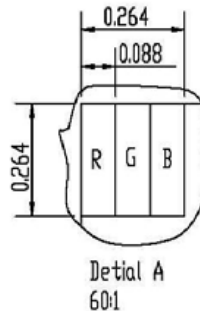


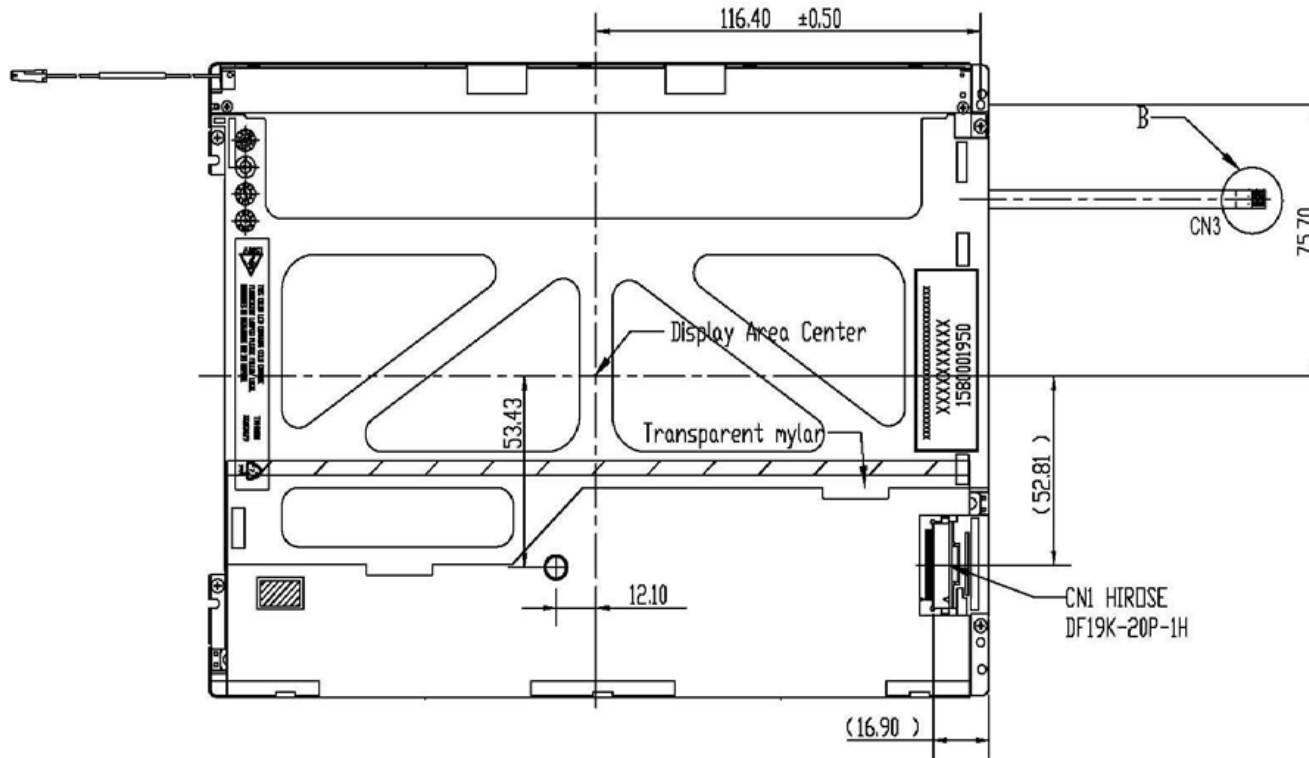
NOTES:

- GENERAL TOLERANCE TO BE +/-0.3.
- CONNECTOR TYPE:  
 CN1(20P) CONNECTOR: HIROSE DF19K-20P-1H;  
 CN2(BACKLIGHT) CONNECTOR: JAT BHSR-02VS-1;  
 MATING CONNECTOR: JST SM02B-BHSS-1-TB;  
 CN3(TSP FPC) RECOMMENDED CONNECTOR: SFW4R-1STAE1-LF.
- OPERATING TEMP.: -20°~70°.
- STORAGE TEMP.: -30°~80°.
- REQUIREMENT ON ENVIRONMENT PROTECTION: ROHS COMPLIANT.



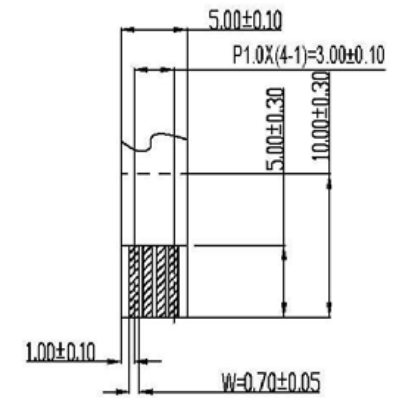
MULTI-INNO TECHNOLOGY CO.,LTD.			
DRAWN BY:	RITA	2018.05.24	SCALE : 1/1
CHECKED BY:			MODULE P/N: MI1040GT-3
APPROVED BY:			UNIT: mm
VERSION NO:	02		DESCRIPTION: TFT MODULE

02	CORRECT THE STORAGE TEMP. FROM -20°~70° TO -30°~80°.	RITA	2018.05.24
01	FIRST ISSUE	CAROL	2010.03.06
VER.	REVISED DESCRIPTION	REVISER	DATE



PIN	OUT
1	Y2
2	X2
3	Y1
4	X1

Contact Side



Contact Side  
Detail B  
Scale 2:1



MULTI-INNO TECHNOLOGY CO.,LTD.

DRAWN BY:	RITA	2018.05.24	SCALE : 1/1	MODULE P/N:
CHECKED BY:			UNIT:	MI1040GT-3
APPROVED BY:			mm	DESCRIPTION:
VERSION NO:	02			TFT MODULE

02	CORRECT THE STORAGE TEMP. FROM -20~70 TO -30~80.	RITA	2018.05.24
01	FIRST ISSUE	CAROL	2010.03.06
VER.	REVISED DESCRIPTION	REVISOR	DATE