

NOTES FOR TFT:


1. DISPLAY TYPE: TFT, TRANSMISSIVE, NORMALLY WHITE.
2. OPERATING VOLTAGE: VDD=3.3V.
3. VIEWING DIRECTION: 12 O'CLOCK.
4. IC DRIVER: HX8282-A01+HX8696-A01.
4. LED BACKLIGHT: 36-CHIP WHITE LED, If=240mA, Vf=16.8V~20.4V.
5. SURFACE TREATMENT: ANTI-GLARE.

NOTES FOR OTHERS:

1. OPERATING TEMP: -20°C ~ 70°C.
2. STORAGE TEMP: -30°C ~ 80°C.
3. SURFACE LUMINANCE: 850CD/M<sup>2</sup>(TYP.)(WITH CTP).
4. GENERAL TOLERANCE: ±0.3MM.
5. ROHS COMPLIANT.

NOTES FOR CTP:

1. 10.1 INCH PROJECTIVE CAPACITIVE TOUCH PANEL.
2. OPERATING VOLTAGE: 5.0V.
3. COVER GLASS + SENSOR GLASS +FPCA.
4. IC DRIVER: ILI2511.
5. INTERFACE: USB.
6. MULTI FINGER: UP TO 10.
7. HARDNESS OF COVER SURFACE: >=6H.

 MULTI-INNO TECHNOLOGY CO., LTD.			
DRAWN BY:	CAROL	2019.11.15	MODULE P/N:
CHECKED BY:			M1010Z1T-5CP4
APPROVED BY:			SCALE : 1/1
VERSION NO:	01		UNIT: mm
			SHEET NO.: 1/2
			DESCRIPTION:
			TFT + CTP MODULE

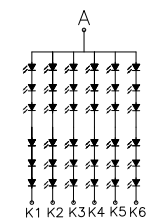
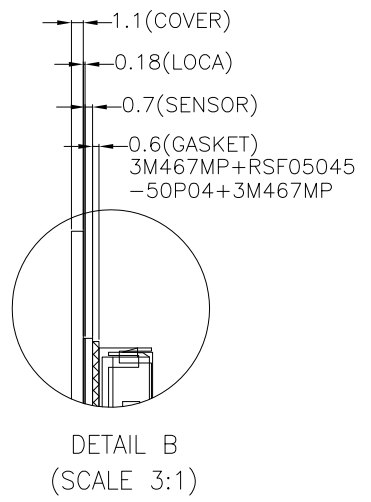
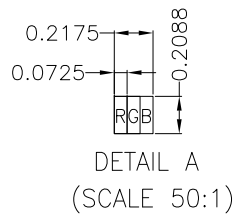
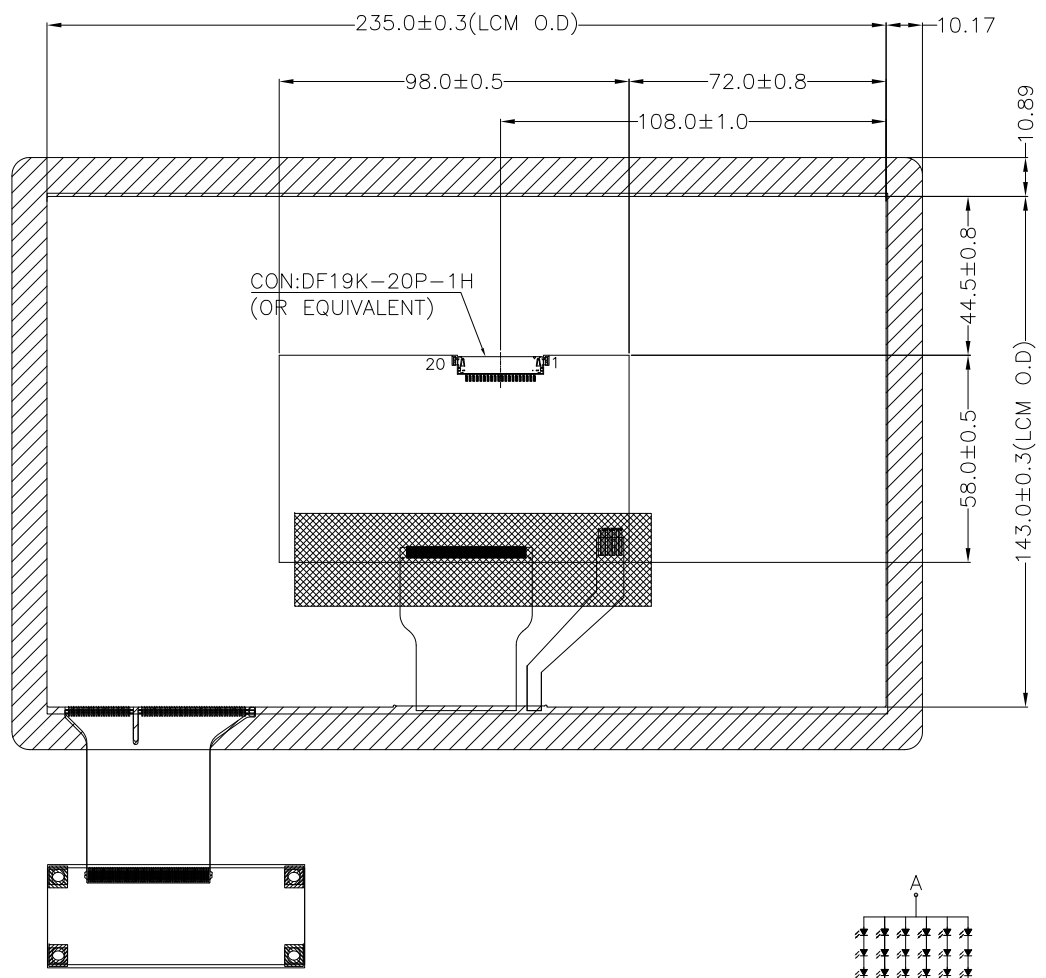
01	FIRST ISSUE	CAROL	2019.11.15
VER.	REVISED DESCRIPTION	REVISER	DATE

TFT PIN DESCRIPTION

PIN	SYMBOL
1	VCC
2	VCC
3	VSS
4	VSS
5	RIN0-
6	RIN0+
7	VSS
8	RIN1-
9	RIN1+
10	VSS
11	RIN2-
12	RIN2+
13	VSS
14	RCLK-
15	RCLK+
16	VSS
17	VDD_5V
18	VDD_5V
19	ADJ
20	VSS

CTP PIN DESCRIPTION

PIN	SYMBOL
1	VBUSIN
2	DN
3	DP
4	GNDIN



**MIT** MULTI-INNO TECHNOLOGY CO., LTD.

DRAWN BY:	CAROL	2019.11.15		MODULE P/N:
CHECKED BY:			SCALE : 1/1	M1010Z1T-5CP4
APPROVED BY:			UNIT: mm	DESCRIPTION:
VERSION NO:	01		SHEET NO.: 2/2	TFT + CTP MODULE

VER.	REVISED DESCRIPTION	REVISER	DATE
01	FIRST ISSUE	CAROL	2019.11.15