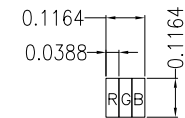


PIN DESCRIPTION FOR LED		PIN DESCRIPTION FOR CON1			
PIN	SYMBOL	PIN	SYMBOL	PIN	SYMBOL
1	LED A	1	NC	31	ED1P
2	LED A	2	NC	32	GND
3	LED A	3	NC	33	ECLKN
4	NC	4	NC	34	ECLKP
5	LED K1	5	NC	35	GND
6	LED K2	6	NC	36	ED2N
7	LED K3	7	NC	37	ED2P
8	NC	8	NC	38	GND
9	NTC1	9	NC	39	ED3N
10	NTC2	10	NC	40	ED3P
11	GND	41	GND		
12	OD0N	42	VDD		
13	OD0P	43	VDD		
14	GND	44	ID1(GND)		
15	OD1N	45	ID2(GND)		
16	OD1P	46	RESET		
17	GND	47	STB		
18	OCLKN	48	CS		
19	OCLKP	49	SCL		
20	GND	50	SDA		
21	OD2N	51	NC(TP_GND)		
22	OD2P	52	NC(TP_VDD)		
23	GND	53	NC(TP_INT)		
24	OD3N	54	NC(TP_RESET)		
25	OD3P	55	NC(TP_SDA)		
26	GND	56	NC(TP_GND)		
27	ED0N	57	NC(TP_SCL)		
28	ED0P	58	ID3(GND)		
29	GND	59	NC(TP_DVDD)		
30	ED1N	60	NC(TP_GND)		



DETAIL A
(SCALE 100:1)

NOTES:

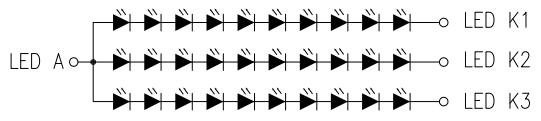
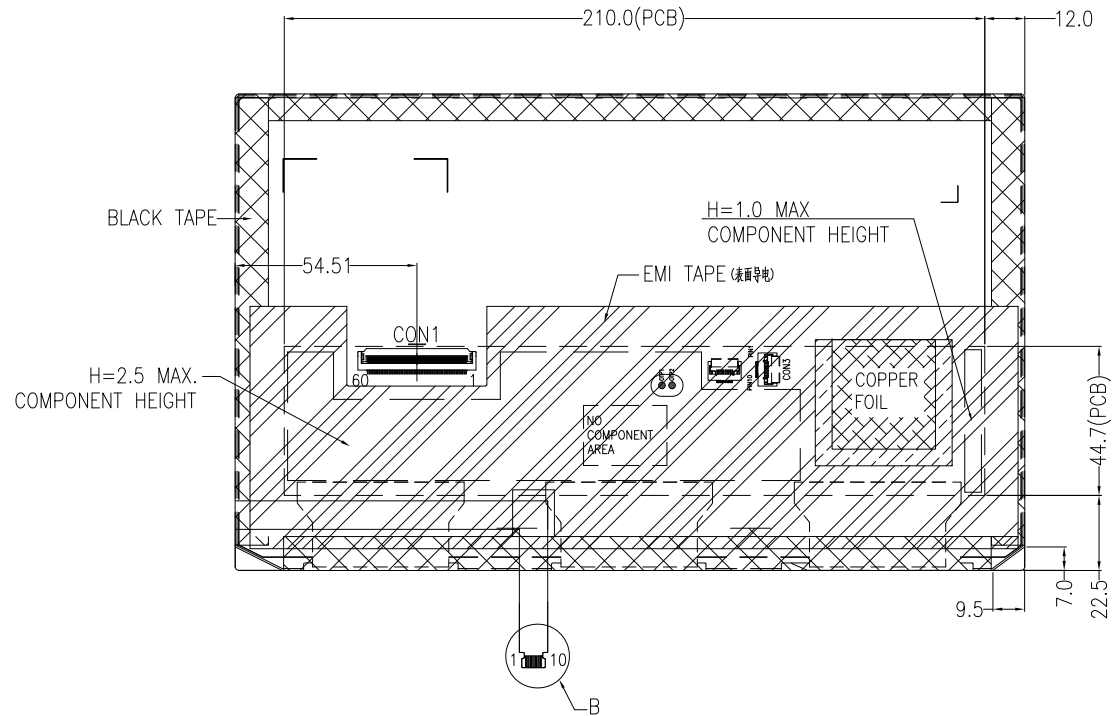
1. DISPLAY TYPE: TFT, TRANSMISSIVE, NORMALLY BLACK
2. OPERATING VOLTAGE: VDD=3.3V (TYP.)
3. VIEWING DIRECTION: FULL VIEWING ANGLE
4. DRIVER IC: HX8290-A06+HX8691-A
5. OPERATING TEMP.: -30°C ~ 85°C
6. STORAGE TEMP.: -40°C ~ 90°C
7. LED BACKLIGHT: 30-CHIP WHITE LED, IF=255mA, VF=31V(TYP.)
8. SURFACE LUMINANCE: 1000CD/M² (TYP.)
9. TOP POLARIZER SURFACE TREATMENT: GLARE
10. ONLY THE SINGLE LAYER AREA ON FPC IS BENDABLE AND THE MINIMUM BEND RADIUS IS 1.5MM
11. GENERAL TOLERANCE: ±0.5MM
12. ROHS COMPLIANT

01	FIRST ISSUE	CAROL	2022.03.30	APPROVED BY:		UNIT: mm	DESCRIPTION:
VER.	REVISED DESCRIPTION	REVISER	DATE	VERSION NO:	01	SHEET NO.: 1/2	TFT MODULE

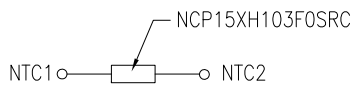


MULTI-INNO TECHNOLOGY CO., LTD.

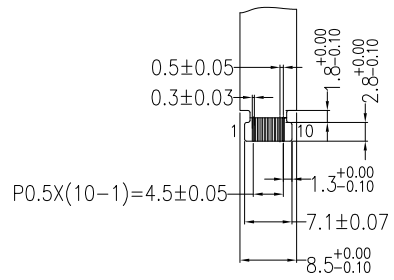
DRAWN BY:	CAROL	2022.03.30		MODULE P/N:
CHECKED BY:				SCALE : 1/1
APPROVED BY:			UNIT: mm	DESCRIPTION:
VERSION NO:	01		SHEET NO.: 1/2	TFT MODULE



BACKLIGHT CIRCUIT DIAGRAM



NTC CIRCUIT DIAGRAM



DETAIL B
(SCALE 2:1)

		MULTI-INNO TECHNOLOGY CO., LTD.		DRAWN BY: CAROL 2022.03.30		MODULE P/N: MI1010AOT-2
				CHECKED BY:	SCALE : 1/1	DESCRIPTION: TFT MODULE
01 FIRST ISSUE	CAROL	2022.03.30	APPROVED BY:	UNIT: mm	SHEET NO.: 2/2	
VER. REVISED DESCRIPTION	REVISER	DATE	VERSION NO: 01			

01	FIRST ISSUE	CAROL	2022.03.30
VER.	REVISED DESCRIPTION	REVISER	DATE