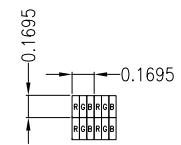
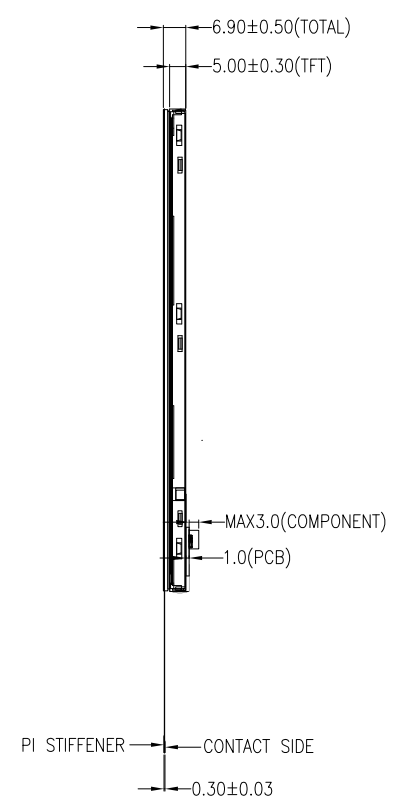
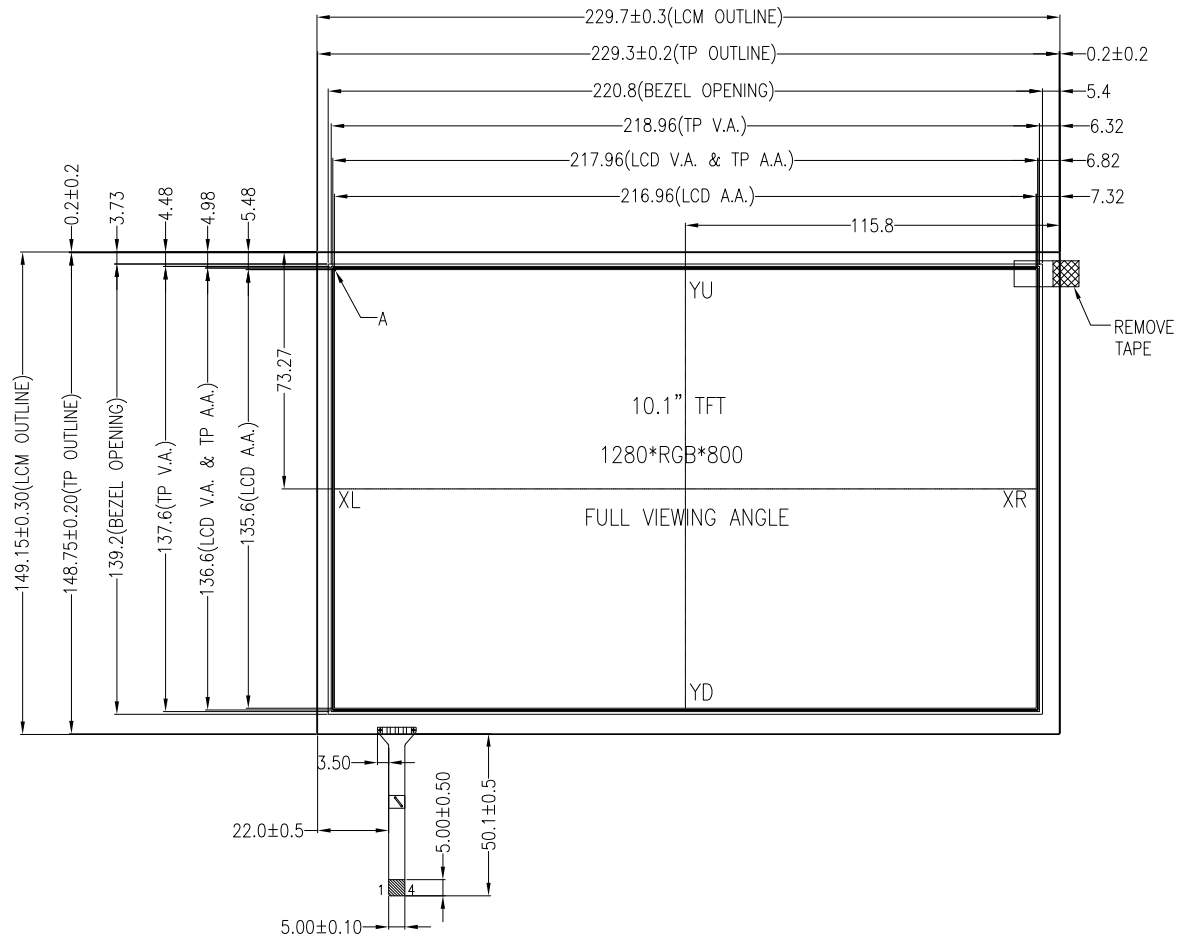


NO MECHANICAL HOUSING TO HOLD THE TFT AND THE TOUCH PANEL ON THIS PRODUCT, SO THE END UNIT'S MECHANICAL DESIGN MUST INCLUDE A HOUSING FOR PREVENTING THE SEPARATION OF THE TFT AND THE TOUCH PANEL.



DETAIL A  
(SCALE 40:1)

NOTES:

- DISPLAY TYPE: TFT, TRANSMISSIVE, NORMALLY BLACK
- OPERATING VOLTAGE: VDD/LED\_EN=3.3V (TYP.)
- VIEWING DIRECTION: FULL VIEWING ANGLE
- DRIVER IC: HX8245 + HX8695
- OPERATING TEMP.: -20°C ~ 70°C
- STORAGE TEMP.: -30°C ~ 80°C
- LED BACKLIGHT: 36-CHIP WHITE LED  
BUILT-IN BACKLIGHT DRIVER: VLED=12.0V
- SURFACE LUMINANCE: 800CD/M<sup>2</sup> (TYP.) WITH RTP
- TOP POLARIZER SURFACE TREATMENT: ANTI-GLARE
- ONLY THE SINGLE LAYER AREA ON FPC IS BENDABLE AND THE MINIMUM BEND RADIUS IS 1.5MM
- GENERAL TOLERANCE: ±0.3MM
- ROHS COMPLIANT

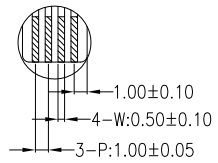
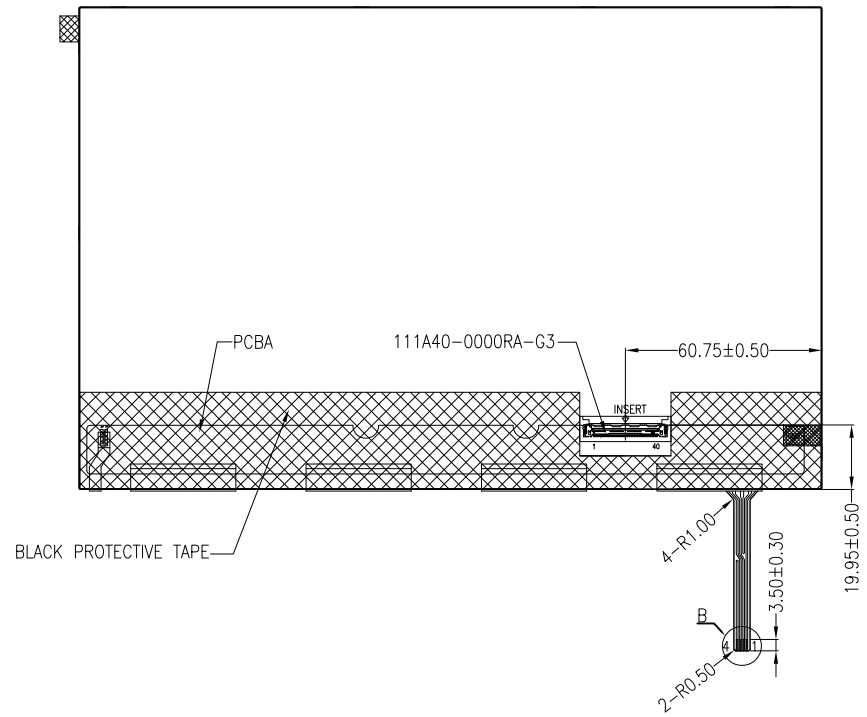
PIN ASSIGNMENT FOR TFT	
PIN	SYMBOL
1	NC
2	VDD
3	VDD
4	NC
5	NC
6	NC
7	NC
8	RXIN0-
9	RXIN0+
10	GND
11	RXIN1-
12	RXIN1+
13	GND
14	RXIN2-
15	RXIN2+
16	GND
17	RXCLKIN-
18	RXCLKIN+
19	GND
20	RXIN3-
21	RXIN3+
22	GND
23	NC
24	NC
25	GND
26	NC
27	NC
28	GND
29	NC
30	NC
31	GND
32	GND
33	GND
34	NC
35	PWM
36	LED_EN
37	NC
38	VLED
39	VLED
40	VLED

PIN ASSIGNMENT FOR RTP	
PIN	SYMBOL
1	YU
2	YD
3	XR
4	XL

**MIL** MULTI-INNO TECHNOLOGY CO., LTD.

DRAWN BY:	CAROL	2023.02.15		MODULE P/N:
CHECKED BY:			SCALE : 1/1	MI1010AAT-4RP
APPROVED BY:			UNIT: mm	DESCRIPTION:
VER.	01	FIRST ISSUE	SHEET NO.: 1/2	TFT + RTP MODULE

VER.	REVISED DESCRIPTION	REVISER	DATE	VERSION NO.
01	FIRST ISSUE	CAROL	2023.02.15	



DETAIL B  
(SCALE 4:1)



MULTI-INNO TECHNOLOGY CO., LTD.

DRAWN BY:	CAROL	2023.02.15		MODULE P/N:
CHECKED BY:			SCALE : 1/1	MI1010AAT-4RP
APPROVED BY:			UNIT: mm	DESCRIPTION:
VERSION NO:	01		SHEET NO.: 2/2	TFT + RTP MODULE

VER.	REVISED DESCRIPTION	REVISER	DATE
01	FIRST ISSUE	CAROL	2023.02.15