

NOTES FOR TFT:

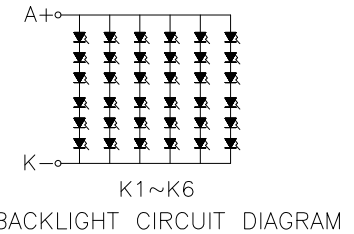
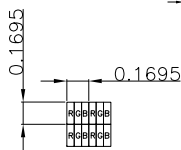
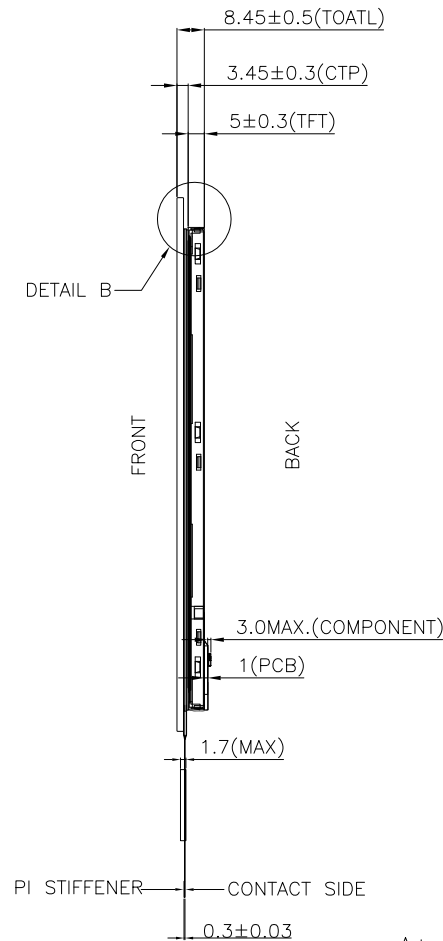
1. DISPLAY TYPE: TFT, TRANSMISSIVE, NORMALLY BLACK.
2. OPERATING VOLTAGE: VDD/LED\_EN=3.3V, VLED=10V~15V.
3. VIEWING DIRECTION: FULL VIEWING ANGLE.
4. IC DRIVER: HX8245 + HX8695.
5. BACKLIGHT: 36-CHIP WHITE LED, If=240mA, Vf=16.2V~20.4V.
6. TOP POLARIZER SURFACE TREATMENT: ANTI-GLARE.

NOTES FOR OTHERS:

1. OPERATING TEMP.: -20°C ~ 70°C.
2. STORAGE TEMP.: -30°C ~ 80°C.
3. SURFACE LUMINANCE: 850CD/M<sup>2</sup>(TYP.) WITH CTP.
4. GENERAL TOLERANCE: ±0.3MM.
5. ROHS COMPLIANT.

NOTES FOR CTP:

1. 10.1 INCH PROJECTIVE CAPACITIVE TOUCH PANEL.
2. OPERATING VOLTAGE: VCC=5.0V.
3. COVER GLASS + SENSOR GLASS +FPCA.
4. IC DRIVER: ILI2511(TX:29\*RX:19).
5. INTERFACE: USB.
6. RESOLUTION: 1280 \* 800.
7. MULTI FINGER: UP TO 5.
8. HARDNESS OF COVER SURFACE: 6H.

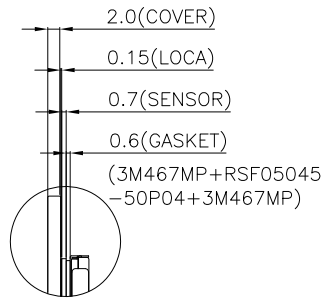
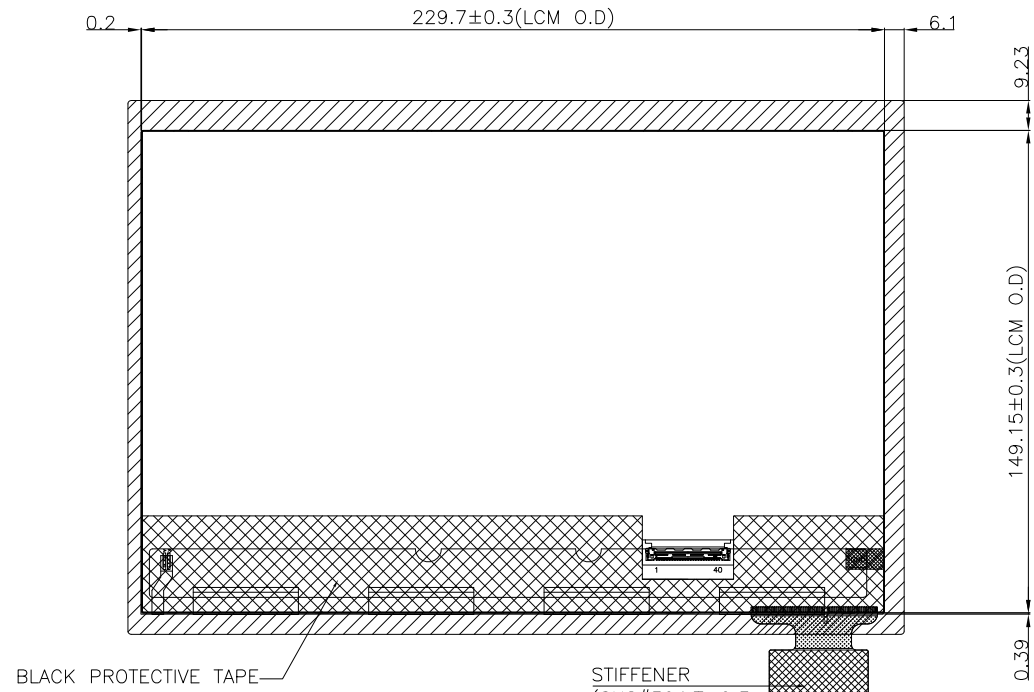


| PIN ASSIGNMENT FOR CTP |        | PIN ASSIGNMENT FOR LCM |          |
|------------------------|--------|------------------------|----------|
| PIN                    | SYMBOL | PIN                    | SYMBOL   |
| 1                      | GND    | 1                      | NC       |
| 2                      | NC     | 2                      | VDD      |
| 3                      | D+     | 3                      | VDD      |
| 4                      | D-     | 4                      | NC       |
| 5                      | VBUS   | 5                      | NC       |
|                        |        | 6                      | NC       |
|                        |        | 7                      | NC       |
|                        |        | 8                      | RXIN0-   |
|                        |        | 9                      | RXIN0+   |
|                        |        | 10                     | GND      |
|                        |        | 11                     | RXIN1-   |
|                        |        | 12                     | RXIN1+   |
|                        |        | 13                     | GND      |
|                        |        | 14                     | RXIN2-   |
|                        |        | 15                     | RXIN2+   |
|                        |        | 16                     | GND      |
|                        |        | 17                     | RXCLKIN- |
|                        |        | 18                     | RXCLKIN+ |
|                        |        | 19                     | GND      |
|                        |        | 20                     | RXIN3-   |
|                        |        | 21                     | RXIN3+   |
|                        |        | 22                     | GND      |
|                        |        | 23                     | NC       |
|                        |        | 24                     | NC       |
|                        |        | 25                     | GND      |
|                        |        | 26                     | NC       |
|                        |        | 27                     | NC       |
|                        |        | 28                     | GND      |
|                        |        | 29                     | NC       |
|                        |        | 30                     | NC       |
|                        |        | 31                     | GND      |
|                        |        | 32                     | GND      |
|                        |        | 33                     | GND      |
|                        |        | 34                     | NC       |
|                        |        | 35                     | PWM      |
|                        |        | 36                     | LED_EN   |
|                        |        | 37                     | NC       |
|                        |        | 38                     | VLED     |
|                        |        | 39                     | VLED     |
|                        |        | 40                     | VLED     |

**MULTI-INNO TECHNOLOGY CO., LTD.**

|              |      |            |                |                  |
|--------------|------|------------|----------------|------------------|
| DRAWN BY:    | RITA | 2021.02.02 |                | MODULE P/N:      |
| CHECKED BY:  |      |            | SCALE : 1/1    | MI1010AAT-4CP1   |
| APPROVED BY: |      |            | UNIT: mm       | DESCRIPTION:     |
| VERSION NO:  | 01   |            | SHEET NO.: 1/2 | TFT + CTP MODULE |

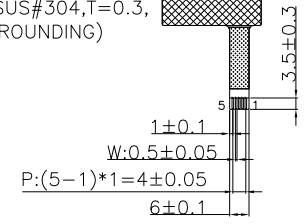
|      |                     |         |            |
|------|---------------------|---------|------------|
| 01   | FIRST ISSUE         | RITA    | 2021.02.02 |
| VER. | REVISED DESCRIPTION | REVISER | DATE       |



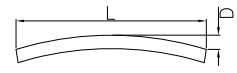
DETAIL B  
SCALE 2:1

BLACK PROTECTIVE TAPE

STIFFENER  
(SUS#304, T=0.3,  
GROUNDING)

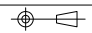


LENS BENDING  
DIMENSION CONTROL  
STANDARDS



TOLERANCE:  $D \leq 3\% \cdot L$

 MULTI-INNO TECHNOLOGY CO., LTD.

|              |      |            |   |                  |
|--------------|------|------------|---|------------------|
| DRAWN BY:    | RITA | 2021.02.02 |  | MODULE P/N:      |
| CHECKED BY:  |      |            | SCALE : 1/1   | MI1010AAT-4CP1   |
| APPROVED BY: |      |            | UNIT: mm  | DESCRIPTION:     |
| VERSION NO:  | 01   |            | SHEET NO.: 2/2  | TFT + CTP MODULE |

|      |                     |         |            |
|------|---------------------|---------|------------|
| 01   | FIRST ISSUE         | RITA    | 2021.02.02 |
| VER. | REVISED DESCRIPTION | REVISER | DATE       |