

PIN DESCRIPTION FOR CON1	
PIN	SYMBOL
1	GND
2	VDD
3	VDD
4	VDD
5	GSPD
6	NC (INX OTP PIN)
7	GND (INX SDI PIN)
8	NC (INX SDO PIN)
9	GND (INX SCL PIN)
10	VDD (INX CS PIN)
11	SSCEN
12	UD
13	STBYB (MUTE)
14	RESET
15	LR
16	LVFMT
17	BLKINSR
18	GND
19	LVDS D+
20	LVDS D-
21	GND
22	LVDS CLK+
23	LVDS CLK-
24	GND
25	LVDS C+
26	LVDS C-
27	GND
28	LVDS B+
29	LVDS B-
30	GND
31	LVDS A+
32	LVDS A-
33	GND
34	GND (INX TEST PIN)
35	LED1-
36	LED2-
37	LED3-
38	NC
39	LED+
40	LED+

NOTES:

1. DISPLAY TYPE: TFT, TRANSMISSIVE, NORMALLY BLACK
2. OPERATING VOLTAGE: VDD=3.3V (TYP.)
3. VIEWING DIRECTION: FULL VIEWING ANGLE
4. DRIVER IC: TBD
5. OPERATING TEMP.: -30°C ~ 85°C
6. STORAGE TEMP.: -40°C ~ 95°C
7. LED BACKLIGHT: 24-CHIP WHITE LED, VF=174MA, VF=22.4V~26.4V
8. SURFACE LUMINANCE: 920CD/M² (TYP.)
9. TOP POLARIZER SURFACE TREATMENT: ANTI-GLARE
10. RECOMMEND MATCHING CONNECTOR: HRS FH28-40S-0.5SH OR EQUIVALENT
11. ONLY THE SINGLE LAYER AREA ON FPC IS BENDABLE AND THE MINIMUM BEND RADIUS IS 1.5MM
12. GENERAL TOLERANCE: ±0.4MM
13. ROHS COMPLIANT

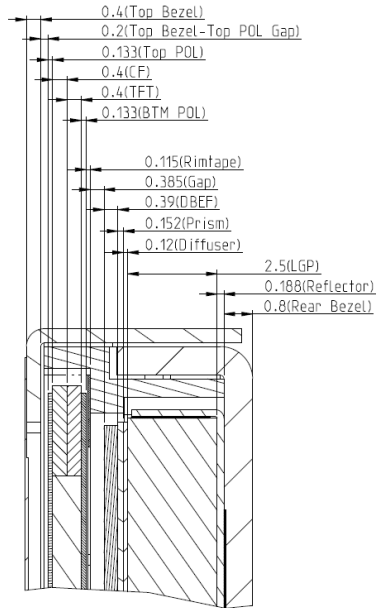


MULTI-INNO TECHNOLOGY CO., LTD.

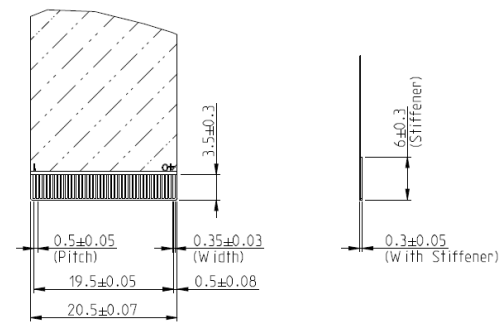
DRAWN BY:	RITA	2022.08.04		MODULE P/N:	
CHECKED BY:			SCALE : 1/1	MI0800AKT-1	
APPROVED BY:			UNIT: mm	DESCRIPTION:	
VER.	REVISED DESCRIPTION	REVISER	DATE	VERSION NO:	
01	FIRST ISSUE	RITA	2022.08.04	01	
				SHEET NO.: 1/2	TFT MODULE

01	FIRST ISSUE	RITA	2022.08.04
VER.	REVISED DESCRIPTION	REVISER	DATE

Module Cross-Section



FPC Terminal Detail



MULTI-INNO TECHNOLOGY CO., LTD.

DRAWN BY:	RITA	2022.08.04		MODULE P/N:
CHECKED BY:			SCALE : 1/1	MI0800AKT-1
APPROVED BY:			UNIT: mm	DESCRIPTION:
VERSION NO:	01		SHEET NO.: 2/2	TFT MODULE

01	FIRST ISSUE	RITA	2022.08.04
VER.	REVISED DESCRIPTION	REVISER	DATE