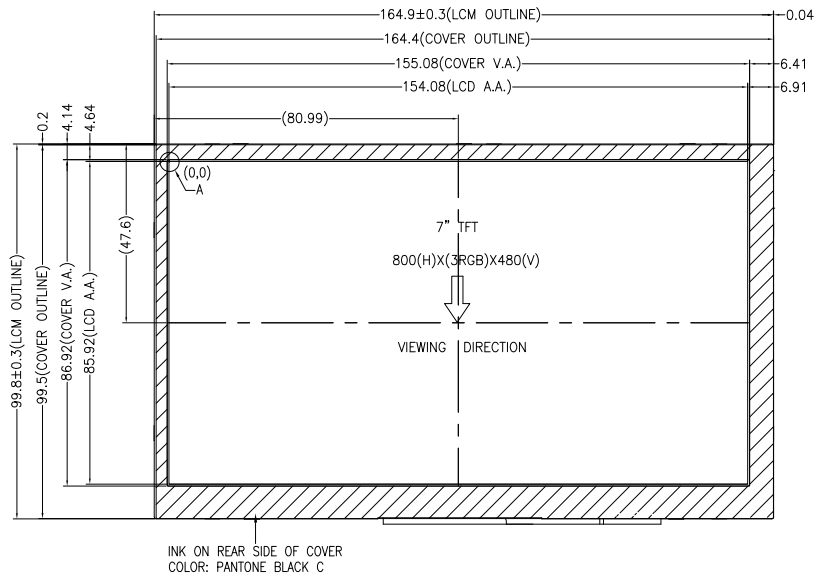
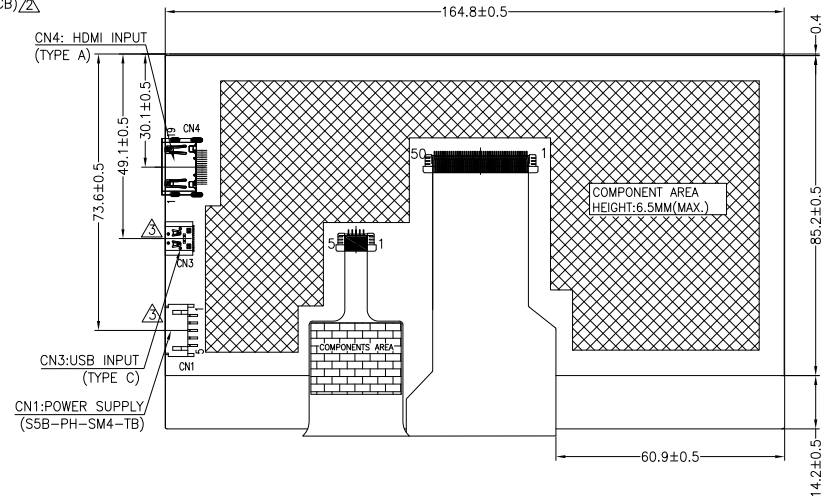
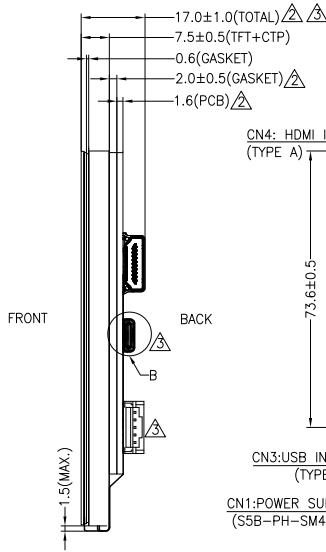


NO MECHANICAL HOUSING TO HOLD THE TFT, PCBA AND THE TOUCH PANEL ON THIS PRODUCT, SO THE END UNIT'S MECHANICAL DESIGN MUST INCLUDE A HOUSING FOR PREVENTING THE SEPARATION OF THE TFT AND THE TOUCH PANEL.



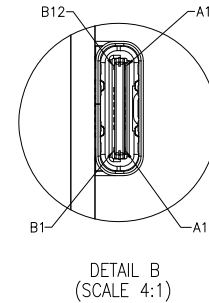
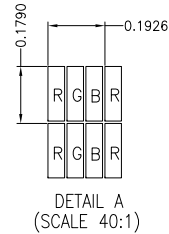
INK ON REAR SIDE OF COVER  
COLOR: PANTONE BLACK C



NO.	SYMBOL
1	TMDS DATA 2+
2	TMDS DATA 2 SHIELD
3	TMDS DATA 2-
4	TMDS DATA 1+
5	TMDS DATA 1 SHIELD
6	TMDS DATA 1-
7	TMDS DATA 0+
8	TMDS DATA 0 SHIELD
9	TMDS DATA 0-
10	TMDS CLOCK+
11	TMDS CLOCK SHIELD
12	TMDS CLOCK-
13	CEC
14	RESERVED(N.C. ON DEVICE)
15	SCL
16	SDA
17	DDC/CEC GROUND
18	+5V POWER
19	HOT PLUG DETECT

PIN	SYMBOL	PIN	SYMBOL
A1	GND	B12	GND
A4	VBUS	B9	VBUS
A5	NC	B8	NC
A6	D+	B7	D-
A7	D-	B6	D+
A8	NC	B5	NC
A9	VBUS	B4	VBUS
A12	GND	B1	GND

PIN	SYMBOL
1	VCC(+12V)
2	GND
3	GND
4	BL_PWM
5	BL_EN



NOTES FOR TFT:

1. DISPLAY TYPE: TFT / TRANSMISSIVE / NORMALLY WHITE
2. POWER SUPPLY(CN1): VDD=12.0V (TYP.)
3. VIEWING DIRECTION: 12:00 O'CLOCK
4. DRIVER IC: RTD2660H
5. INTERFACE: HDMI AND USB INPUT
6. OPERATING TEMP.: -20°C~70°C
7. STORAGE TEMP.: -30°C~80°C
8. LED BACKLIGHT: WHITE LED, BUILT IN BACKLIGHT DRIVER
9. SURFACE LUMINANCE: 850CD/M<sup>2</sup> WITH CTP(TYP.)
10. TOP POLARIZER SURFACE TREATMENT: ANTI-GLARE

NOTES FOR CTP:

1. PROJECTIVE CAPACITIVE TOUCH PANEL
2. OPERATING VOLTAGE: VBUS=5.0V (TYP.)
3. COVER GLASS + SENSOR GLASS + FPCA
4. IC DRIVER: ILI2511, USB INTERFACE
5. MULTI FINGER: UP TO 5
6. HARDNESS OF COVER SURFACE: 6H

OTHERS:

1. GENERAL TOLERANCE: ±0.3mm
2. ROHS COMPLIANT

VER.	REVISED DESCRIPTION	REVISER	DATE
03	OPTIMIZE THE HDMI BOARD DESIGN, DELETE REDUNDANT FUNCTION. CHANGE THE OPERATING VOLTAGE OF CTP FROM 3.3V TO 5.0V.	RITA	2022.07.07
02	ADD GASKET. MODIFY MODULE TOTAL THICKNESS.	RITA	2019.10.25
01	FIRST ISSUE	RITA	2019.03.21

MULTI-INNO TECHNOLOGY CO., LTD.			
DRAWN BY:	RITA	2019.03.21	MODULE P/N:
CHECKED BY:			MI0700S6T-12CP-HB
APPROVED BY:			DESCRIPTION:
VERSION NO:	03		TFT + CTP + PCBA MODULE
		SHEET NO.: 1/1	