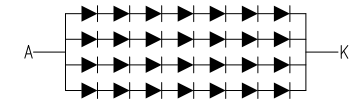
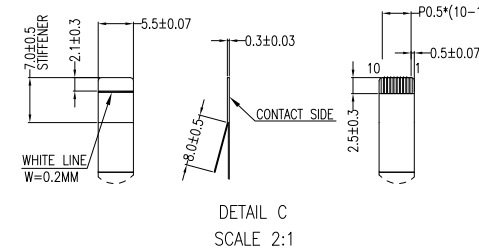
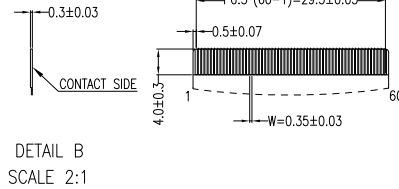
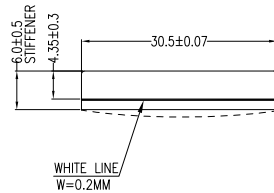
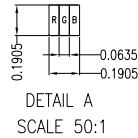
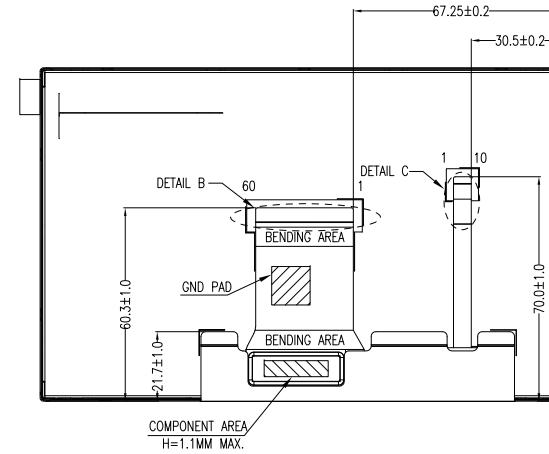
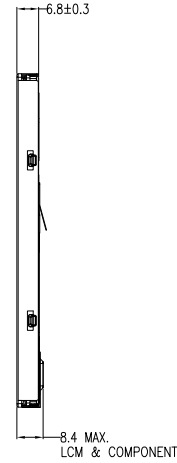
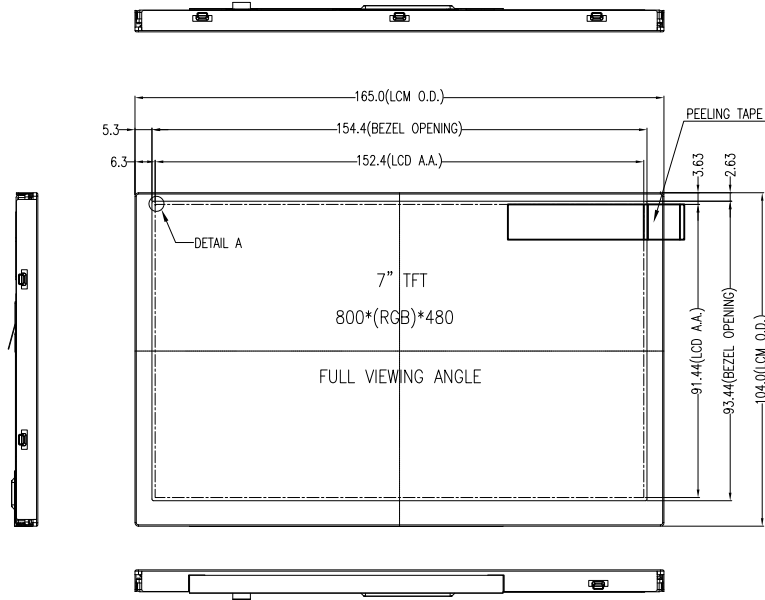


B/L PIN DESCRIPTION				LCM FPC PIN DESCRIPTION			
PIN	SYMBOL	PIN	SYMBOL	PIN	SYMBOL	PIN	SYMBOL
1	A	6	K2	1	AGND	31	VSD
2	A	7	K3	2	AVDD	32	MODE
3	A	8	K4	3	VCC	33	RSTB
4	NC	9	NC	4	R0	34	STBYB
5	K1	10	NC	5	R1	35	SHLR
				6	R2	36	VCC
				7	R3	37	UPDN
				8	R4	38	GND
				9	R5	39	AGND
				10	R6	40	AVDD
				11	R7	41	VCOM
				12	G0	42	NC
				13	G1	43	BIST
				14	G2	44	NC
				15	G3	45	NC
				16	G4	46	NC
				17	G5	47	NC
				18	G6	48	CSB
				19	G7	49	SCL
				20	B0	50	SDO
				21	B1	51	SDI
				22	B2	52	NC
				23	B3	53	VPP_T
				24	B4	54	NC
				25	B5	55	NC
				26	B6	56	VGH
				27	B7	57	VCC
				28	DCLK	58	VGL
				29	DE	59	GND
				30	HSD	60	NC



BACKLIGHT CIRCUIT DIAGRAM

NOTES:

1. DISPLAY TYPE: TFT, TRANSMISSIVE, NORMALLY BLACK.
2. OPERATING VOLTAGE: VCC=3.3V.
3. VIEWING DIRECTION: FULL VIEWING ANGLE.
4. DRIVER IC: HX8262+HX8643.
5. OPERATING TEMP.: -30°C ~ 85°C.
6. STORAGE TEMP.: -40°C ~ 95°C.
7. LED BACKLIGHT: 28-CHIP WHITE LED, If=160mA, Vf=21.3V
8. TOP POLARIZER SURFACE TREATMENT: ANTI-GLARE.
9. SURFACE LUMINANCE: 1000CD/M²(TYP).
10. LCM FPC MATCHING CONNECTOR: HIROSE FH52-60S-0.5SH.
11. B/L FPC MATCHING CONNECTOR: HIROSE FH19SC-10S-0.5SH.
12. THE SINGLE LAYER AREA OF FPC IS BENDABLE AND THE BENDING RADIUS MUST BE NOT LESS THAN 1.5MM.
13. GENERAL TOLERANCE: ±0.3MM.
14. ROHS COMPLIANT.

01	FIRST ISSUE	CAROL	2019.08.28	APPROVED BY:	SCALE : 1/1	MODULE P/N:	MI0700BZT-1
VER.	REVISED DESCRIPTION	REVISER	DATE	VERSION NO:	UNIT: mm	DESCRIPTION:	TFT MODULE
					SHEET NO.: 1/1		



MULTI-INNO TECHNOLOGY CO., LTD.

DRAWN BY:	CAROL	2019.08.28	MODULE P/N:	MI0700BZT-1
CHECKED BY:			UNIT: mm	DESCRIPTION:
APPROVED BY:			SHEET NO.: 1/1	TFT MODULE
VERSION NO:	01			