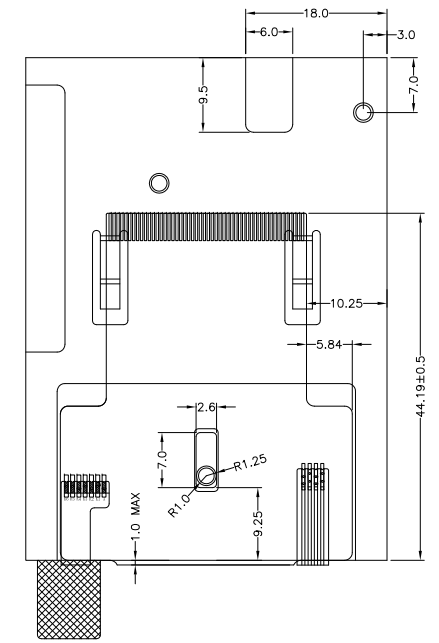
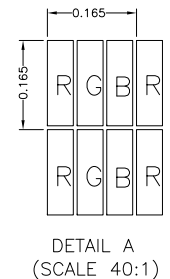
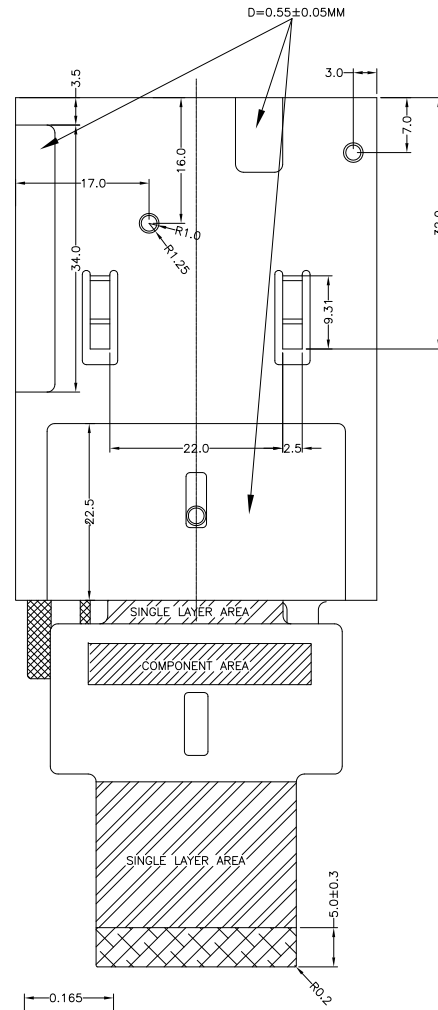
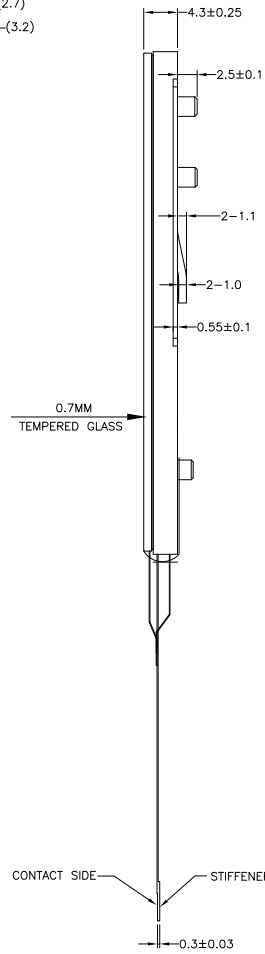
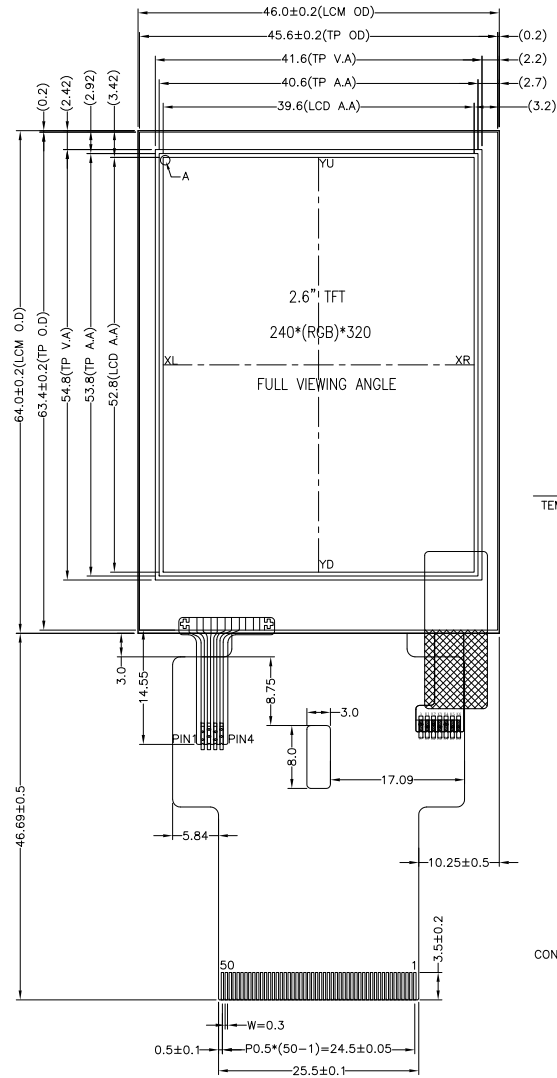
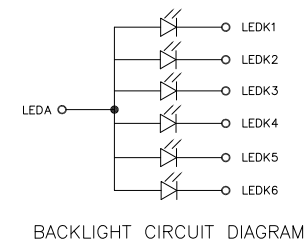


NO.	SYMBOL	PIN ASSIGNMENT
1	GND	
2	VDD	
3	VDD	
4	IM2	
5	IM1	
6	IMO	
7	RESET	
8	CS	
9	RS(SCL)	
10	WR(D/C)	
11	RD	
12	VSYNC	
13	HSYNC	
14	ENABLE	
15	DOTCLK	
16	SDA	
17	DB0	
18	DB1	
19	DB2	
20	DB3	
21	DB4	
22	DB5	
23	DB6	
24	DB7	
25	DB8	
26	DB9	
27	DB10	
28	DB11	
29	DB12	
30	DB13	
31	DB14	
32	DB15	
33	DB16	
34	DB17	
35	NC	
36	LEDA	
37	LEDK1	
38	LEDK2	
39	LEDK3	
40	LEDK4	
41	LEDK5	
42	LEDK6	
43	XR	
44	YU	
45	XL	
46	YD	
47	GND	
48	GND	
49	GND	
50	GND	



IM2	IM1	IMO	MCU-INTERFACE MODE	DB PIN IN USE	
			REGISTER	GRAM	
0	0	0	80 MCU 8-BIT BUS	D[7:0]	D[7:0]
0	0	1	80 MCU 16-BIT BUS	D[7:0]	D[15:0]
0	1	0	80 MCU 9-BIT BUS	D[7:0]	D[8:0]
0	1	1	80 MCU 18-BIT BUS	D[7:0]	D[17:0]
1	0	1	3-WIRE 9-BIT DATA SERIAL	SDA:IN/OUT	
1	1	0	4-WIRE 8-BIT DATA SERIAL	SDA:IN/OUT	



- NOTES:
1. DISPLAY TYPE: TFT, TRANSMISSIVE, NORMALLY BLACK
 2. OPERATING VOLTAGE: VDD=2.8V (TYP.)
 3. VIEWING DIRECTION: FULL VIEWING ANGLE
 4. DRIVER IC: ILI9341V
 5. OPERATING TEMP.: -20°C ~ 70°C
 6. STORAGE TEMP.: -30°C ~ 80°C
 7. LED BACKLIGHT: 6-CHIP WHITE LED, IF=120mA, VF=3.2V
 8. SURFACE LUMINANCE: 280CD/M² (TYP.)
 9. TOP POLARIZER SURFACE TREATMENT: ANTI-GLARE
 10. THE SINGLE LAYER AREA OF FPC IS BENDABLE AND THE BENDING RADIUS MUST BE NOT LESS THAN 1.5MM
 11. RECOMMENDED CASE OPEN AREA SHOULD BE LESS THAN TP V.A
 12. RECOMMENDED CUSHION ADHERENT AREA:TP V.A+1.6MM
 13. GENERAL TOLERANCE: ±0.2MM
 14. ROHS COMPLIANT

MULTI-INNO TECHNOLOGY CO., LTD.

DRAWN BY:	CAROL	2017.06.26		MODULE P/N:
CHECKED BY:			SCALE : 1/1	MIO260ET-1RP
APPROVED BY:			UNIT: mm	DESCRIPTION:
VERSION NO:	01		SHEET NO.: 1/1	TFT + RTP MODULE

01	FIRST ISSUE	CAROL	2017.06.26
VER.	REVISED DESCRIPTION	REVISER	DATE