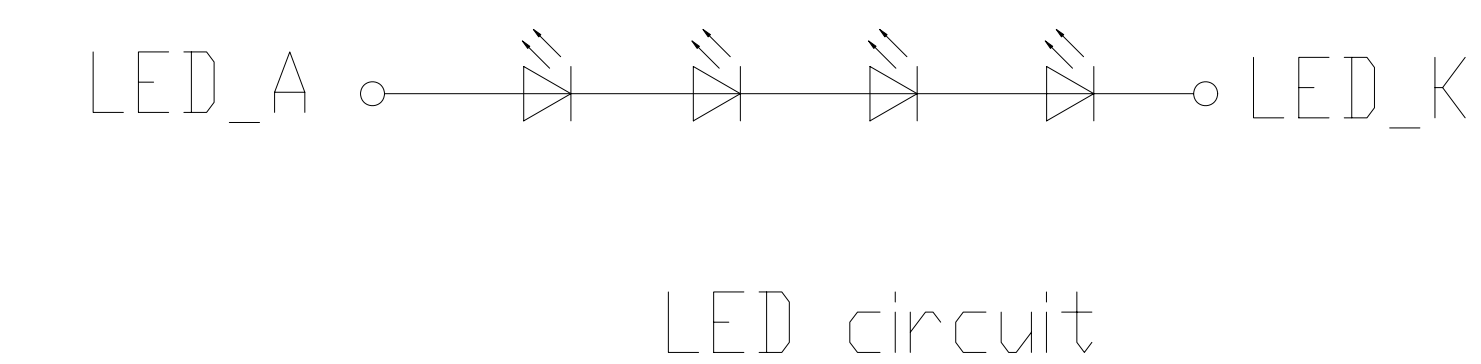
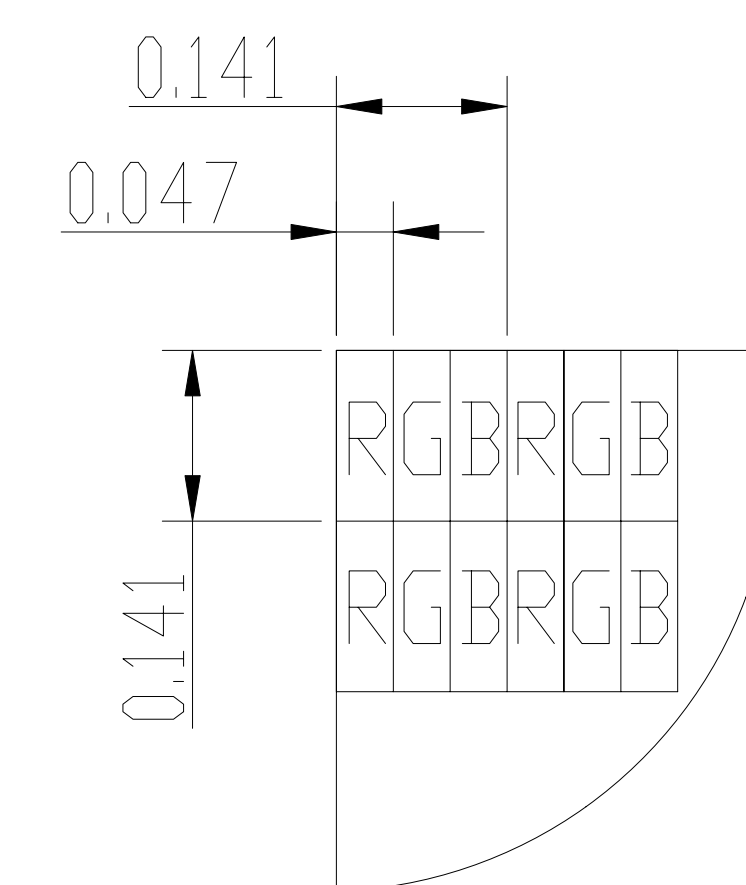
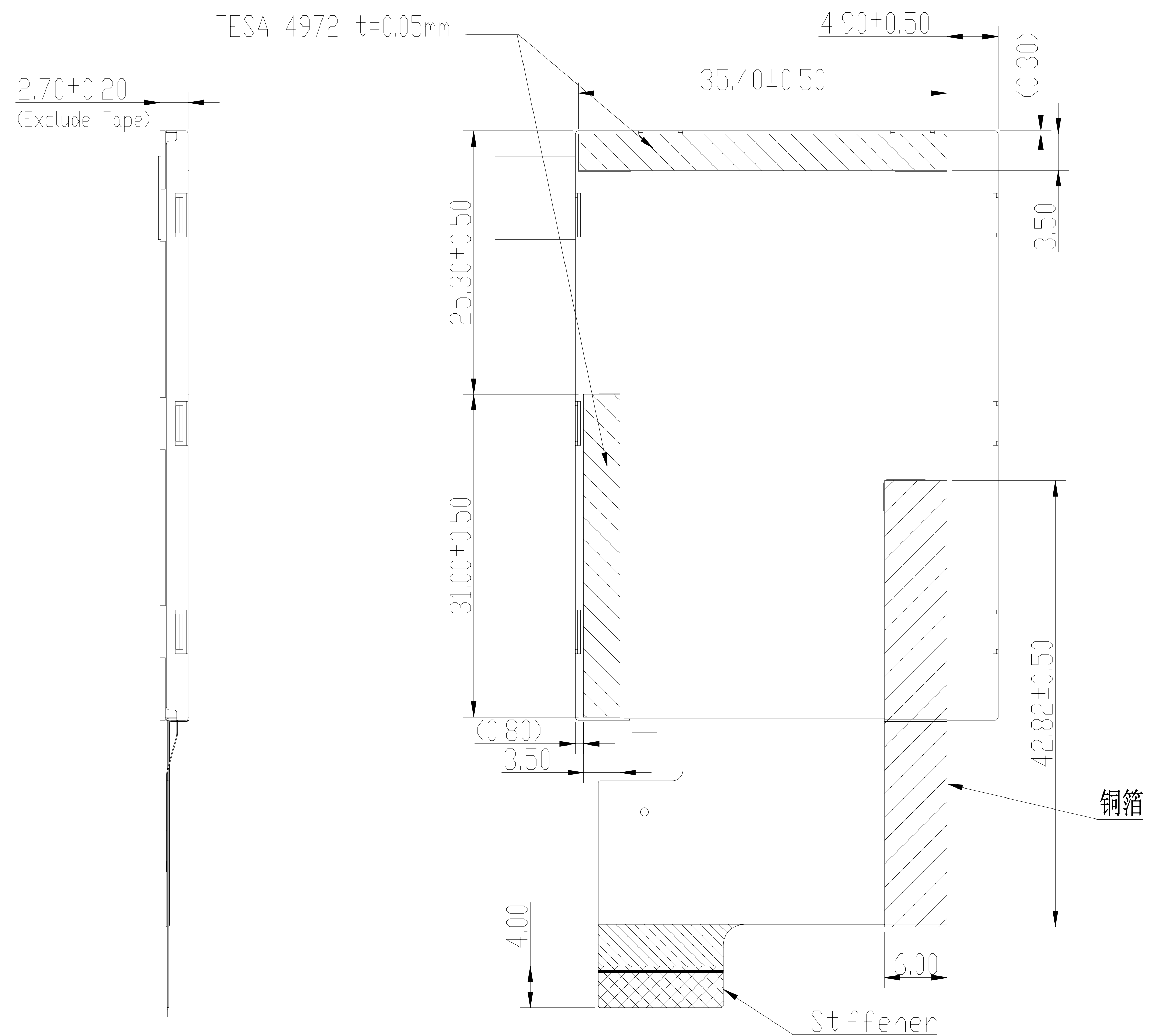
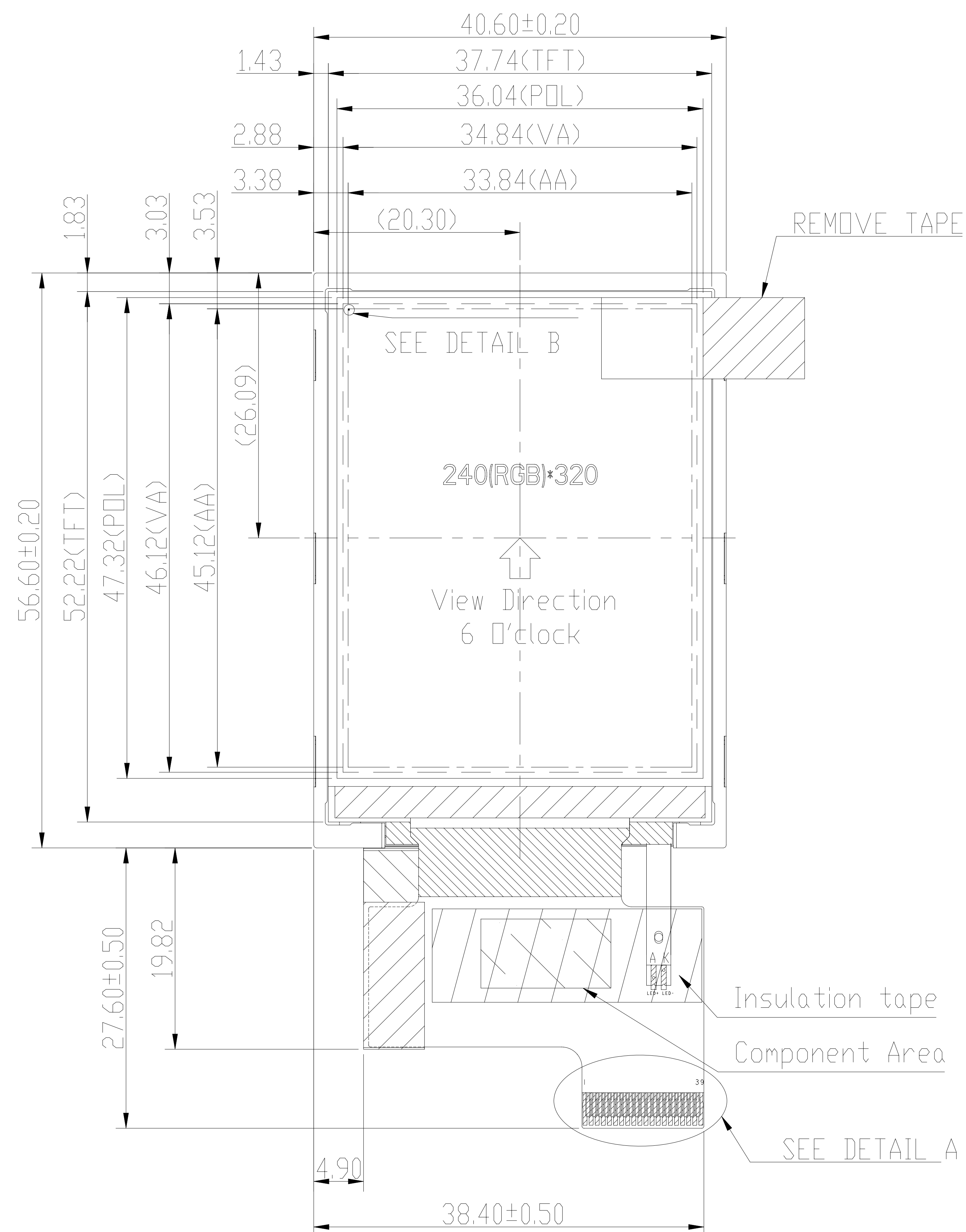
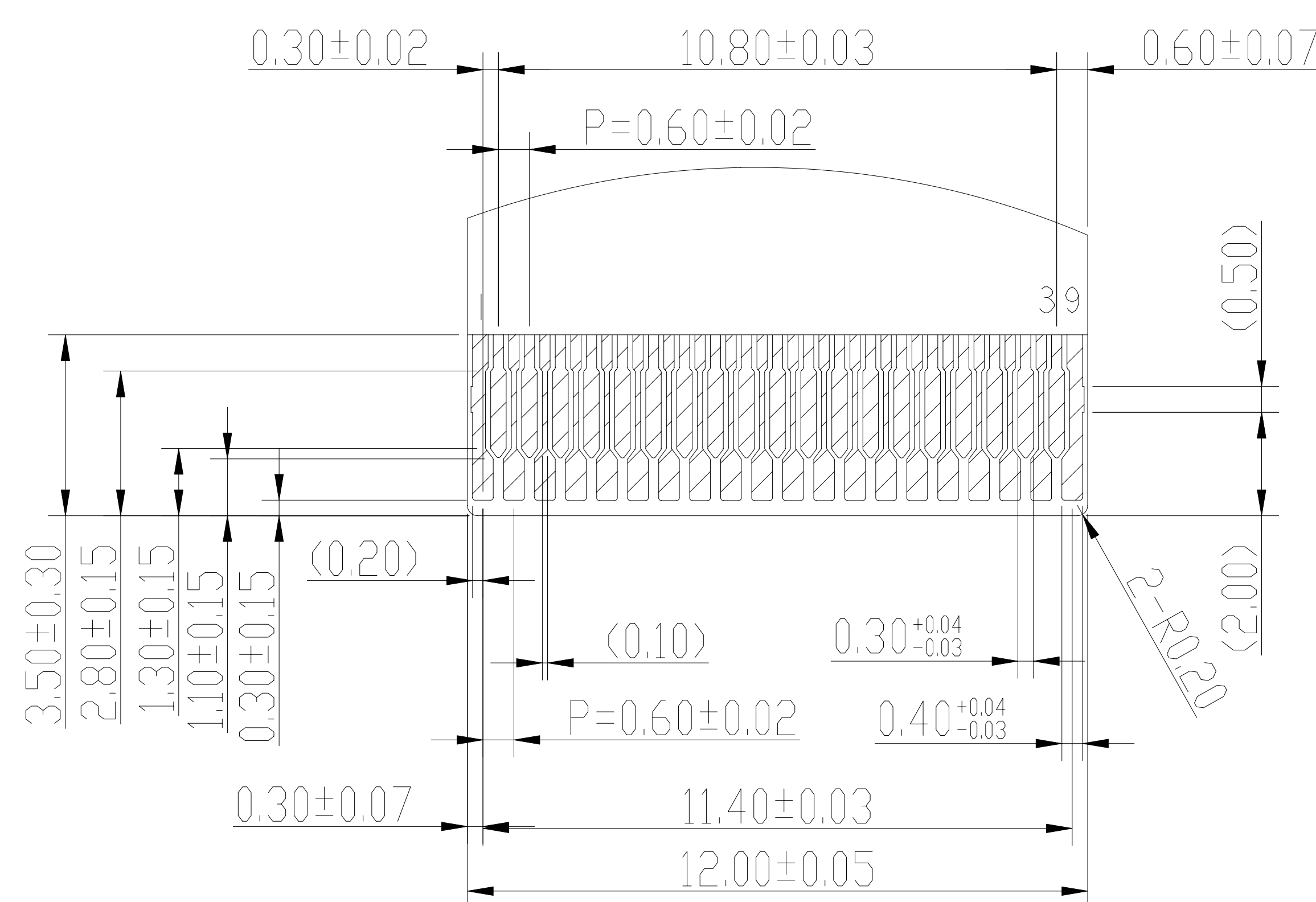


RIPTION	PIN	DESCRIPTION	
1	LEDA	21	ENABLE
2	LEDK	22	HSYNC
3	GND	23	GND
4	VDD	24	DCLK
5	GND	25	GND
6	VSYNC	26	G5
7	RESET	27	G4
8	GND	28	G3
9	CS	29	G2
10	SDD	30	G1
11	SDI	31	G0
12	GND	32	GND
13	SCL	33	R5
14	GND	34	R4
15	B5	35	R3
16	B4	36	R2
17	B3	37	R1
18	B2	38	R0
19	B1	39	GND
20	B0		



Detail B
Scale 40:1



DETAIL A
SCALE 3:1

NOTES:

1. DISPLAY TYPE: TFT, TRANSFLECTIVE.
2. OPERATING VOLTAGE: VDD=2.8V.
3. VIEWING DIRECTION: 6 O'CLOCK.
4. IC DRIVER: ILI9341.
5. OPERATING TEMP: -20°C ~ 70°C.
6. STORAGE TEMP: -30°C ~ 80°C.
7. LED BACKLIGHT: 4-CHIP WHITE LED.
8. SURFACE LUMINANCE: 90cd/m²(TYP).
9. TOP POLARIZER SURFACE TREATMENT: GLARE.
10. GENERAL TOLERANCE: ±0.2.
11. RoHS COMPLIANT.

		MULTI-INNO TECHNOLOGY CO.,LTD.	
		DRAWN BY: CAROL 2016.01.04 CHECKED BY:	SCALE : 1/1 UNIT: mm
VER. 01 FIRST ISSUE	2016.01.04 DATE	APPROVED BY: VERSION NO: 01	DESCRIPTION: TFT MODULE

01	FIRST ISSUE	2016.01.04
VER.	REVISED DESCRIPTION	DATE