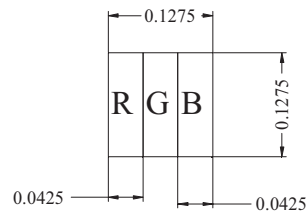
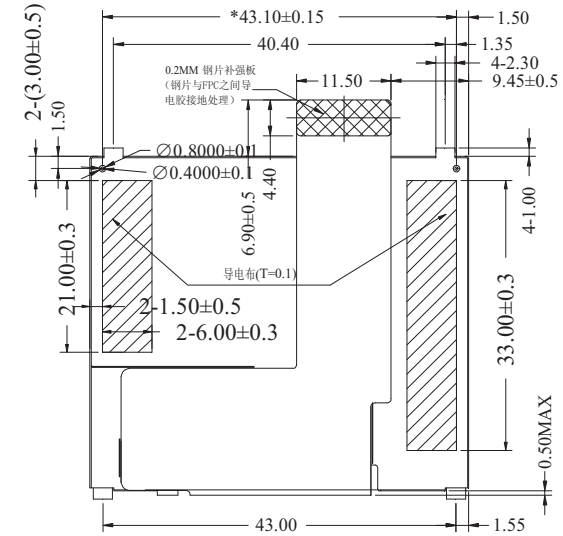
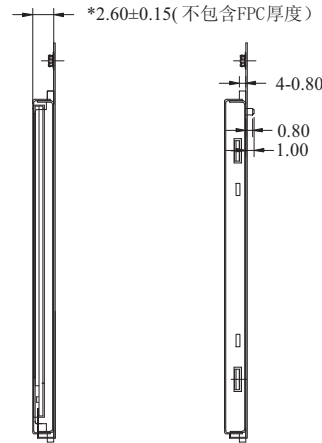
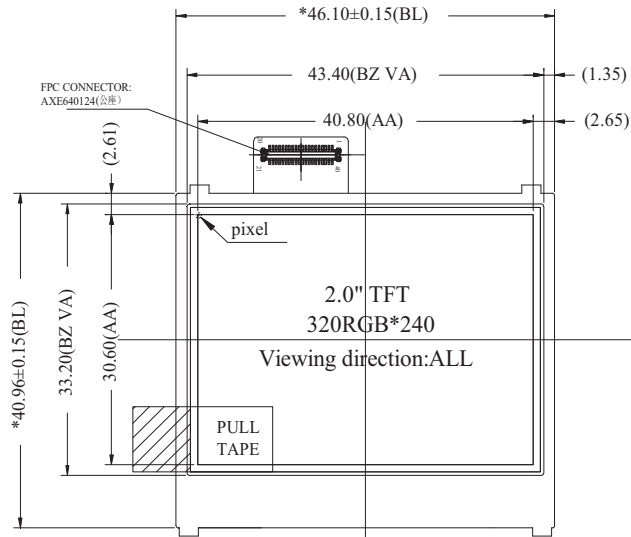
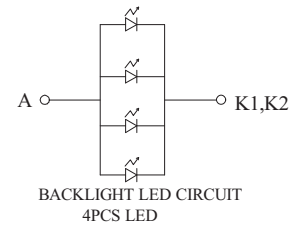


PIN ASSIGNMENT

PIN	SYMBOL
1	GND
2	GND
3	GND
4	GND
5	VCC
6	VCI
7	RESET
8	GND
9	DB0
10	DB1
11	DB2
12	DB3
13	DB4
14	DB5
15	DB6
16	DB7
17	DB8
18	DB9
19	DB10
20	DB11
21	DB12
22	DB13
23	DB14
24	DB15
25	DB16
26	DB17
27	CS
28	SCL
29	GND
30	DE
31	DOTCLK
32	HSYNC
33	VSYNC
34	SDA
35	GND
36	VCI
37	GND
38	LEDA
39	LEDK
40	GND



Pixel Detail
SCALE:100:1



NOTES:

1. DISPLAY TYPE: TFT/TRANSFLECTIVE/NORMALLY BLACK
2. OPERATING VOLTAGE: VCI=1.8V, VCC=2.8V
3. VIEWING DIRECTION: FULL VIEWING ANGLE
4. DRIVER IC: ILI9342C
5. OPERATING TEMP.: -20°~70°
6. STORAGE TEMP.: -30°~80°
7. BACKLIGHT: 4-CHIP WHITE LED, IF=80mA, VF=3.1V±0.4V
8. SURFACE LUMINANCE: 120CD/M²(TYP.)
9. TOP POLARIZER SURFACE TREATMENT: TBD
10. CONNECTOR TYPE: BTB
11. GENERAL TOLERANCE: ±0.2mm
12. ROHS COMPLIANT

MIT MULTI-INNO TECHNOLOGY CO., LTD.

DRAWN BY:	RITA	2018.01.23	SCALE : 1/1	MODULE P/N:
CHECKED BY:			UNIT:	MIO200YT-1
APPROVED BY:			mm	DESCRIPTION:
VERSION NO:	01			TFT MODULE

VER.	REVISED DESCRIPTION	REVISER	DATE
01	FIRST ISSUE	RITA	2018.01.23