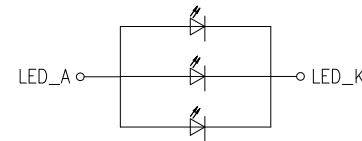
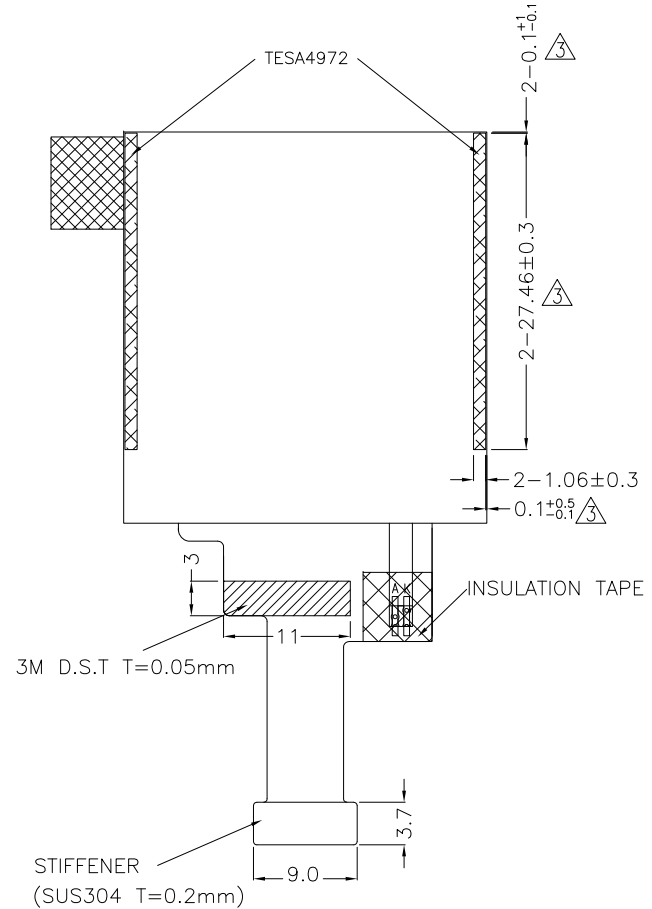


DETAIL A  
(SCALE 50:1)

NOTES:

1. DISPLAY TYPE: TFT, TRANSMISSIVE, NORMALLY BLACK  $\triangle$
2. OPERATING VOLTAGE: VDD=2.8V~3.3V
3. VIEWING DIRECTION: FULL VIEWING ANGLE
- $\triangle$  4. DRIVER IC: ST7789V2
5. OPERATING TEMP.: -20°C ~ 70°C
6. STORAGE TEMP.: -30°C ~ 80°C
7. LED BACKLIGHT: 4-CHIP WHITE LED, If=60mA, Vf=2.8V~3.5V
8. TOP POLARIZER SURFACE TREATMENT: ANTI-GLARE
9. SURFACE LUMINANCE: 600CD/M<sup>2</sup>(TYP.)
10. THE SINGLE LAYER AREA OF FPC IS BENDABLE AND THE BENDING RADIUS MUST BE NOT LESS THAN 1.5MM
11. GENERAL TOLERANCE: ±0.2MM
12. ROHS COMPLIANT



BACKLIGHT CIRCUIT DIAGRAM

PIN ASSIGNMENT	
PIN	SYMBOL
1	LED_K
2	LED_K
3	VSS
4	FMARK
5	SDA
6	LSAO(D/CX)
7	SCL
8	SDO
9	CS
10	RESET
11	VDD
12	VDD
13	VDD
14	VDD
15	GND
16	GND
17	GND
18	GND
19	LED_A
20	LED_A

MULTI-INNO TECHNOLOGY CO.,LTD.

04	CORRECT IC DRIVER FROM ST7789V TO ST7789V2.	CAROL	2021.02.24	DRAWN BY:	RITA	2020.05.11		MODULE P/N:
03	CORRECT THE D.S.T SIZE AND POSITION.	RITA	2020.08.28	CHECKED BY:			SCALE : 1/1	MI0154BT-3
02	CORRECT THE DISPLAY TYPE.	RITA	2020.07.15	APPROVED BY:			UNIT: mm	DESCRIPTION:
01	FIRST ISSUE	RITA	2020.05.11	VERSION NO:	04		SHEET NO: 1/1	TFT MODULE
VER.	REVISED DESCRIPTION	REVISOR	DATE					