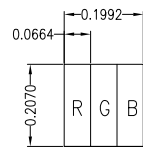
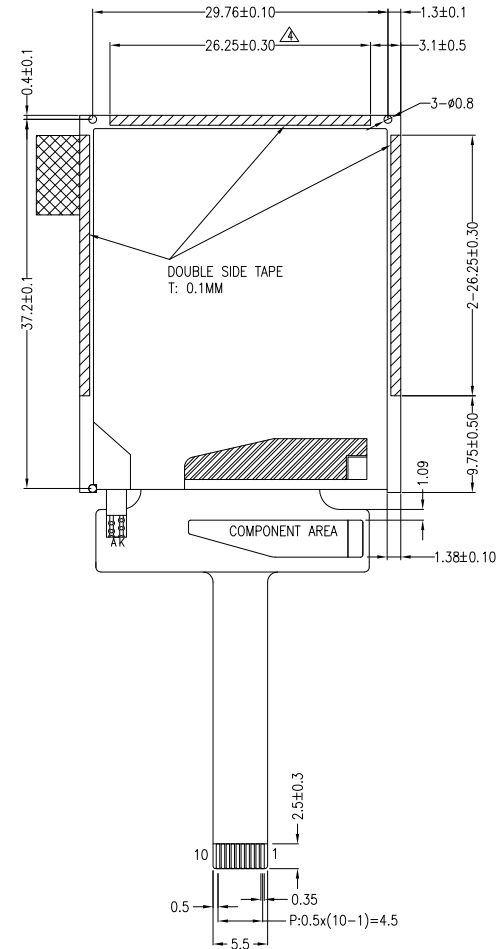
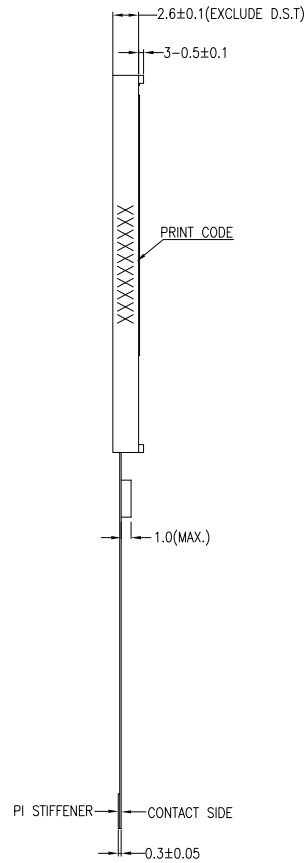
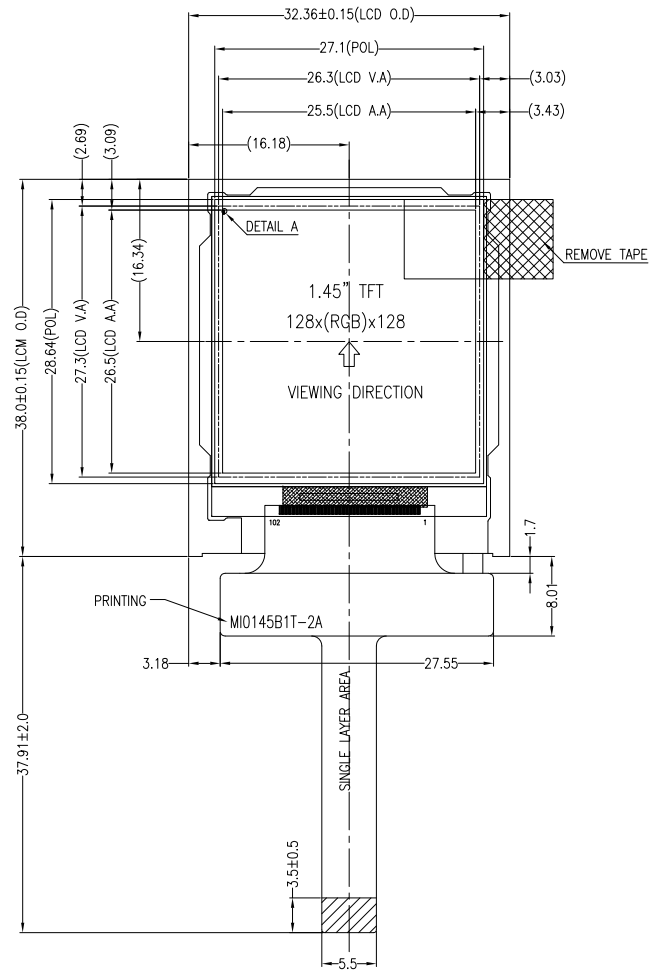


PIN DESCRIPTION	
PIN	SYMBOL
1	A
2	K
3	SPI3W/SPI4W
4	VDD
5	VSS
6	/CS
7	RESET
8	SDA
9	SCL
10	RS </td



DETAIL A  
(SCALE 40:1)



BACKLIGHT CIRCUIT DIAGRAM

NOTES:

1. DISPLAY TYPE: TFT, TRANSMISSIVE, NORMALLY WHITE
2. OPERATING VOLTAGE: VDD=2.8V (TYP.)
3. VIEWING DIRECTION: 6 O'CLOCK
4. DRIVER IC: ST7735S
5. OPERATING TEMP.: -20°C ~ 70°C
6. STORAGE TEMP.: -30°C ~ 80°C
7. LED BACKLIGHT: 1-CHIP WHITE LED, IF=15mA, VF=3.2V±0.2V
8. SURFACE LUMINANCE: 240CD/M<sup>2</sup> (TYP.)
9. TOP POLARIZER SURFACE TREATMENT: GLARE
10. GENERAL TOLERANCE: ±0.2MM
11. ROHS COMPLIANT
12. LCM PIN IS SET TO HIGH ON THE FPC (NORMALLY BLACK DISPLAY MODE)



MULTI-INNO TECHNOLOGY CO., LTD.

04	CORRECT THE SIZE OF D.S.T.	RITA	2020.08.06	DRAWN BY:	JACK	2017.02.08	SCALE : 1/1	MODULE P/N:	MI0145B1T-2A
03	ADD NOTE 12.	RITA	2018.11.12	CHECKED BY:			UNIT:	mm	DESCRIPTION:
02	CHANGE DRIVER IC TO ST7735S	JACK	2017.02.08	APPROVED BY:					
01	FIRST ISSUE	JACK	2016.12.21	VERSION NO:	04				TFT MODULE
VER.	REVISED DESCRIPTION	REVISER	DATE						