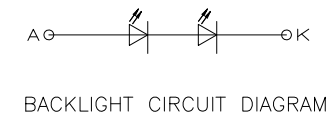
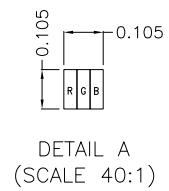
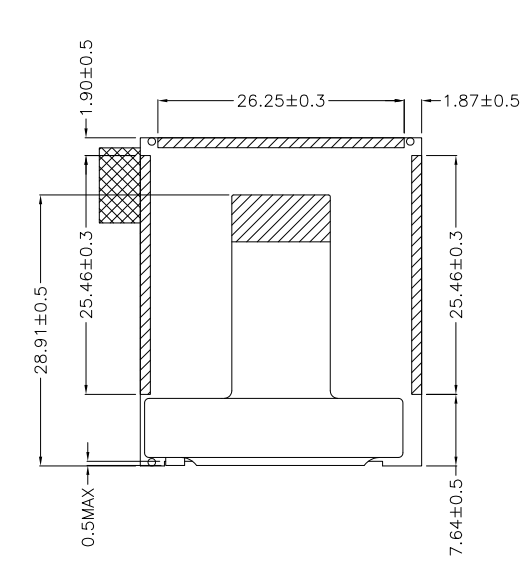
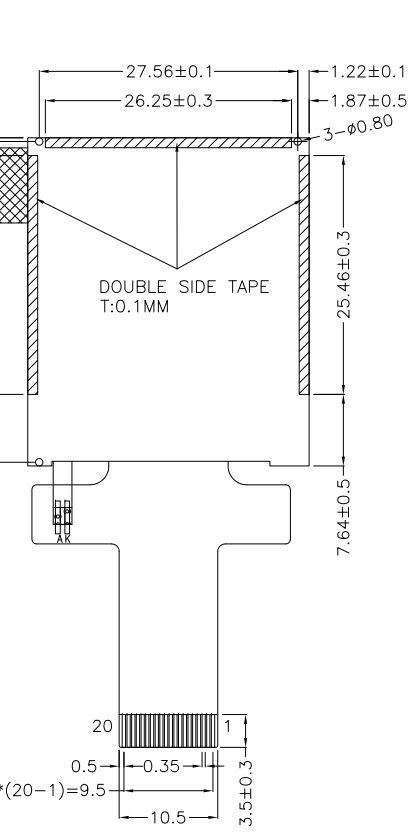
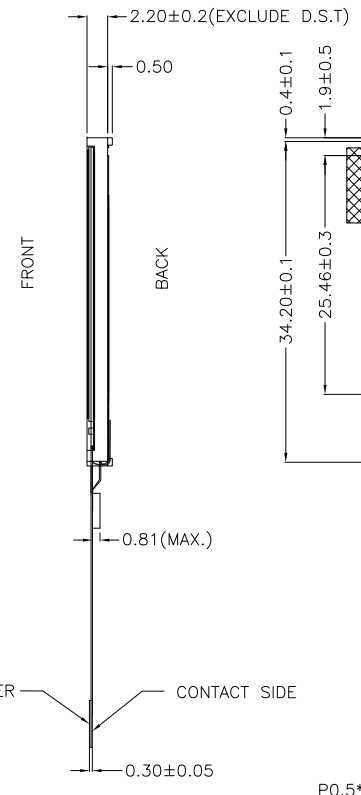
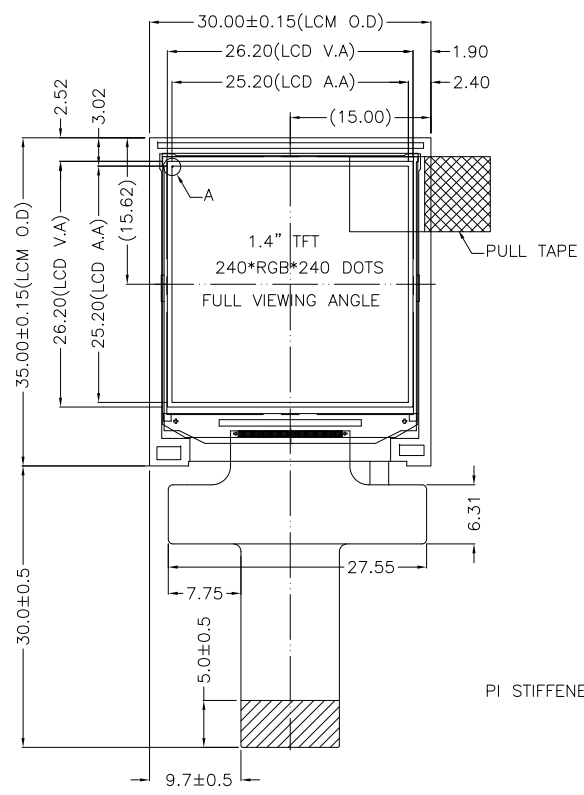


IMX	DATA BASE	INTERFACE
0	D0~D7	MCU
1	SDA	4-LINE SPI

NOTE: IMX MEANS IM1 AND IM2 SHROT TOGETHER ON THE FPC

PIN	SYMBOL
1	A
2	K
3	VDD
4	GND
5	IMX
6	SDA
7	/CS
8	RESET
9	RD
10	WR
11	RS
12	D7
13	D6
14	D5
15	D4
16	D3
17	D2
18	D1
19	D0
20	GND



- NOTES:
1. DISPLAY TYPE: IPS TFT, TRANSMISSIVE, NORMALLY BLACK
  2. OPERATING VOLTAGE: VDD=2.8V
  3. VIEWING DIRECTION: FULL VIEWING ANGLE
  4. IC DRIVER: ST7789V2
  5. OPERATING TEMP.: -20°C ~ 70°C
  6. STORAGE TEMP.: -30°C ~ 80°C
  7. BACKLIGHT: 2-CHIP WHITE LED, IF=20mA, VF=5.4V~6.8V
  8. SURFACE LUMINANCE: 800CD/M<sup>2</sup> (TYP.)
  9. TOP POLARIZER SURFACE TREATMENT: ANTI-GLARE
  10. GENERAL TOLERANCE: ±0.2MM
  11. ROHS COMPLIANT

MULTI-INNO TECHNOLOGY CO., LTD.

DRAWN BY:	RITA	2020.03.10		MODULE P/N:
CHECKED BY:			SCALE : 1/1	MI0140BT-1
APPROVED BY:			UNIT: mm	DESCRIPTION:
VER. REVISED DESCRIPTION	REVISOR	DATE	SHEET No.: 1/1	TFT MODULE

01	FIRST ISSUE	RITA	2020.03.10
VER.	REVISED DESCRIPTION	REVISOR	DATE