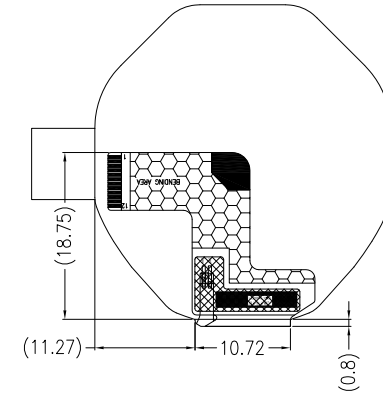
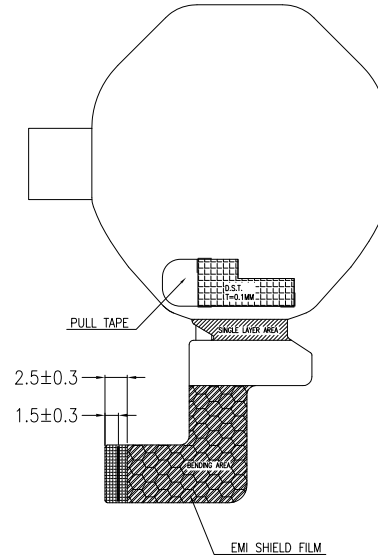
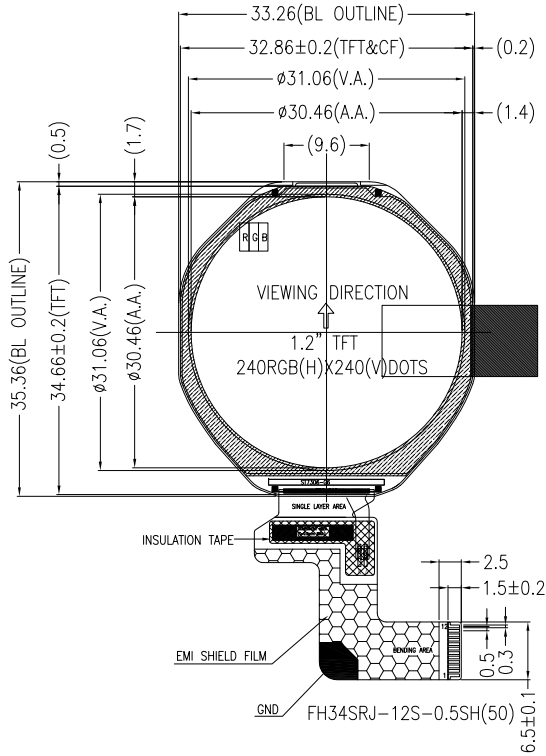
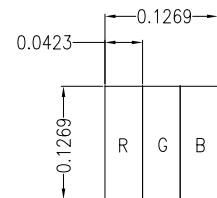


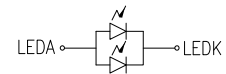
PIN DESCRIPTION	
PIN	SYMBOL
1	LEDA
2	GND
3	TE
4	VCC
5	LSDA
6	LSCK
7	LSAO
8	RESET
9	CS
10	LEDK
11	GND
12	GND



BENDING DIAGRAM FOR REFERENCE



DETAIL PIXEL  
(SCALE 100:1)



BACKLIGHT CIRCUIT DIAGRAM

NOTES:

1. DISPLAY TYPE: TFT, TF-ENB ULP
2. OPERATING VOLTAGE: VCC=3.3V (TYP.)
3. VIEWING DIRECTION: 6 O'CLOCK
4. DRIVER IC: ST7306-G6
5. OPERATING TEMP.: -20°C ~ 70°C
6. STORAGE TEMP.: -30°C ~ 80°C
7. LED BACKLIGHT: 2-CHIP WHITE LED, IF=15mA, VF=2.8V~3.3V
8. SURFACE LUMINANCE: 18CD/M<sup>2</sup> (TYP.)
9. TOP POLARIZER SURFACE TREATMENT: TBD
10. RECOMMEND MATCHING CONNECTOR: FH34SRJ-12S-0.5SH(50) OR EQUIVALENT
11. ONLY THE SINGLE LAYER AREA ON FPC IS BENDABLE AND THE MINIMUM BEND RADIUS IS 1.5MM
12. GENERAL TOLERANCE: ±0.3MM
13. ROHS COMPLIANT

MULTI-INNO TECHNOLOGY CO., LTD.			
DRAWN BY:	CAROL	2021.01.18	MODULE P/N:
CHECKED BY:			MIO120CT-1
APPROVED BY:			DESCRIPTION:
VERSION NO:	01	UNIT: mm	TFT MODULE
		SHEET NO.: 1/1	

01	FIRST ISSUE	CAROL	2021.01.18
VER.	REVISED DESCRIPTION	REVISER	DATE