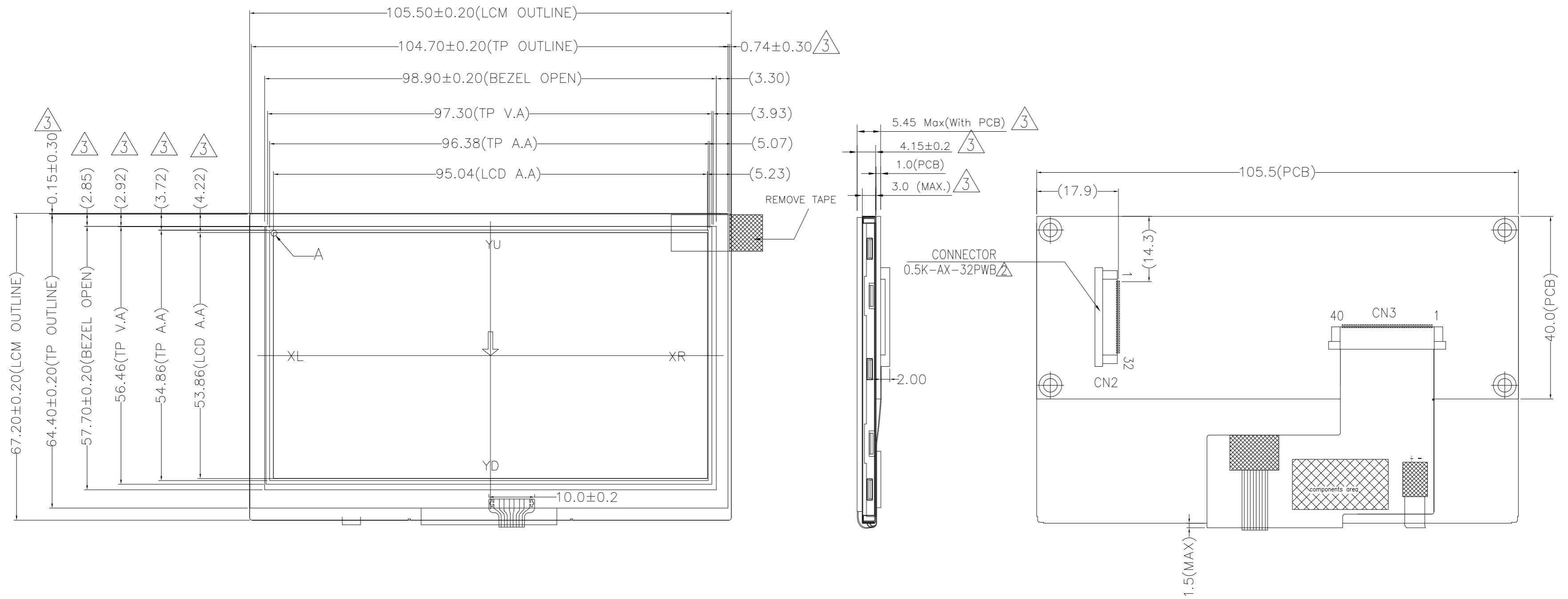




MODULE NO.: MI0430L1T-4

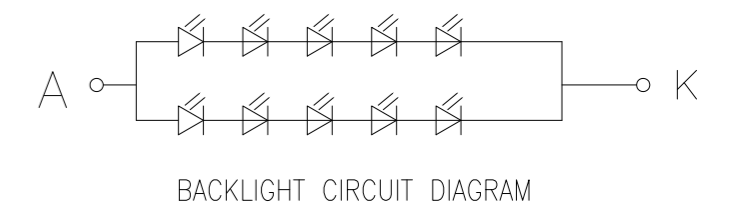
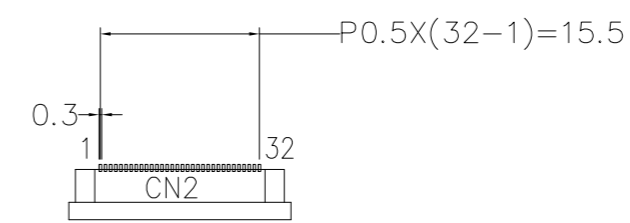
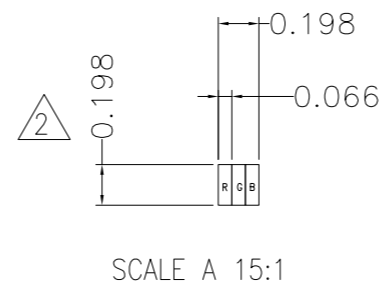
Ver 1.2



16-BIT MODE(CN2)	
Pin No.	Symbol
1	GND
2	VCC
3	BL_E
4	RS
5	/WR
6	/RD
7	DB0
8	DB1
9	DB2
10	DB3
11	DB4
12	DB5
13	DB6
14	DB7
15	DB8
16	DB9
17	DB10
18	DB11
19	DB12
20	DB13
21	DB14
22	DB15
23	NC
24	NC
25	/CS
26	/RST
27	NC
28	X1
29	Y1
30	X2
31	Y2
32	DISP

NOTES:

1. DISPLAY TYPE: TN TFT/TRANSMISSIVE/NORMALLY WHITE
2. VIEWING DIRECTION: 12 O'CLOCK
3. OPERATING VOLTAGE: VCC=3.3V(TYP)
4. OPERATING TEMP.: -20°C -- +70°C
5. STORAGE TEMP.: -30°C -- +80°C
6. LCD CONTROLLER: SSD1963
7. INTERFACE: 8/16-BIT 8080 MPU
8. BACKLIGHT: WHITE LED
9. TOP POLARIZER SURFACE TREATMENT: ANTI-GLARE $\triangle 3$
10. UNMARKED TOLERANCE: $\pm 0.30\text{mm}$
11. REQUIREMENTS ON ENVIRONMENTAL PROTECTION: RoHS



VER.	REVISED DESCRIPTION	REVISER	DATE
03	Modify some assembly dimensions	RITA	2017.04.11
02	CORRECT THE P/N OF CONNECTOR	RITA	2017.01.01
01	First issue	JACK	2014.03.18

MULTI-INNO TECHNOLOGY CO.,LTD.			
DRAWN BY:	JACK	2014.03.18	SCALE : 1/1
CHECKED BY:			UNIT: mm
APPROVED BY:			
VERSION NO:	03		