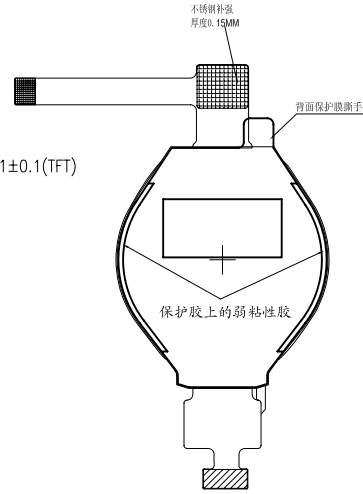
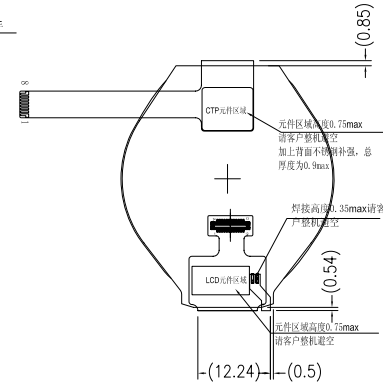


FPC展开出货

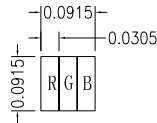


FPC弯折示意图

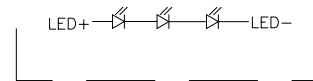


LCD 接口定义

pin	name
1	GND
2	TE
3	LEDPWM
4	VDDI
5	GND
6	D0+
7	D0-
8	GND
9	CLK+
10	CLK-
11	GND
12	GND
13	LEDK
14	LEDA
15	/
16	/
17	/
18	/
19	/
20	/
21	VCI
22	RST
23	/
24	GND



背光电路



CTP 接口定义

pin	name
1	GND
2	RST
3	INT
4	SDA
5	SCL
6	IOVDD
7	VDDA
8	GND

NOTES:

1. DISPLAY TYPE: TFT, TRANSMISSIVE.
2. OPERATING VOLTAGE: VCC/VCI=2.8V.
3. VIEWING DIRECTION: FULL VIEWING ANGLE.
4. LCD DRIVER IC: NT35350.
5. CTP DRIVER IC: FT3207.
6. OPERATING TEMP: -20°C ~ 70°C.
7. STORAGE TEMP: -30°C ~ 80°C.
7. LED BACKLIGHT: 3-CHIP WHITE LED, If=20mA, Vf=8.7V.
8. SURFACE LUMINANCE: 900cd/m<sup>2</sup>(TYP).
9. TOP POLARIZER SURFACE TREATMENT: TBD.
10. GENERAL TOLERANCE: ±0.3.
11. RoHS COMPLIANT.



MULTI-INNO TECHNOLOGY CO.,LTD.

DRAWN BY:	CAROL 2015.07.02	SCALE : 1/1	MODULE P/N:
CHECKED BY:		UNIT: mm	MI0130BT-1CP
APPROVED BY:			DESCRIPTION:
VERSION NO:	01		TFT MODULE

01	FIRST ISSUE	2015.07.02
VER.	REVISED DESCRIPTION	DATE