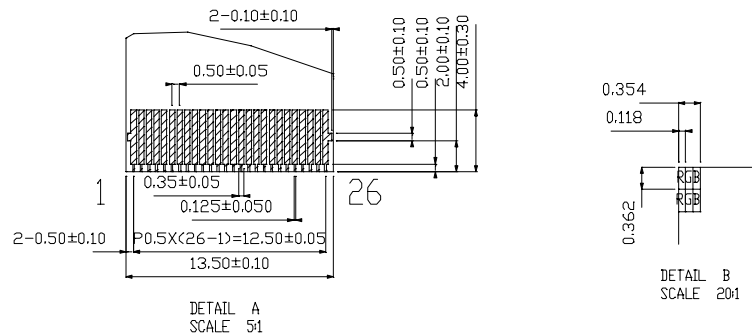
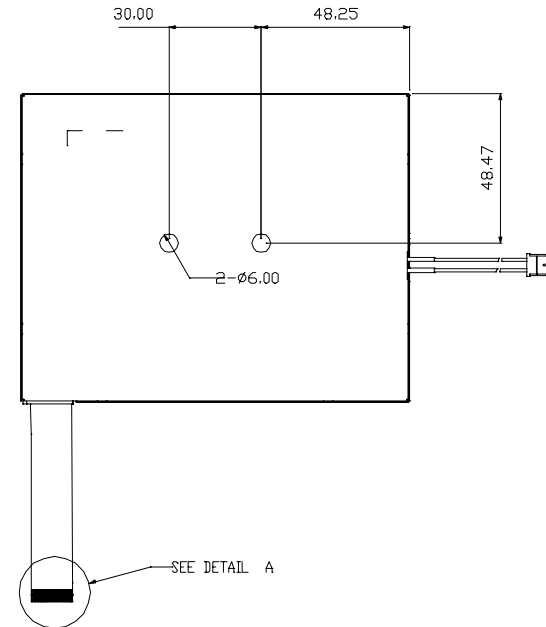
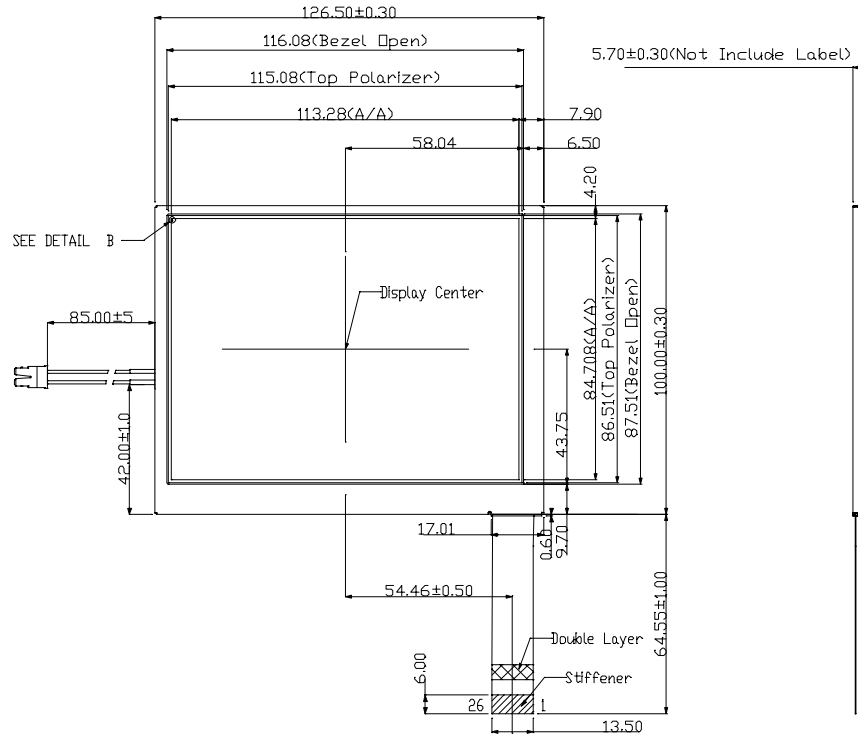




| Pin | Pin Name |
|-----|------------------|
| 1 | GND |
| 2 | Vcc |
| 3 | V _{GL} |
| 4 | V _{GH} |
| 5 | STVD |
| 6 | STVU |
| 7 | CKV |
| 8 | U/D |
| 9 | DEV |
| 10 | V _{COM} |
| 11 | V _{COM} |
| 12 | L/R |
| 13 | MOD |
| 14 | DEH |
| 15 | STHL |
| 16 | STHR |
| 17 | CPH3 |
| 18 | CPH2 |
| 19 | CPH1 |
| 20 | Vcc |
| 21 | GND |
| 22 | V _R |
| 23 | V _G |
| 24 | V _B |
| 25 | AV _{DD} |
| 26 | AV _{SS} |



Notes:

1. General Tolerance:±0.3
2. Connector for BLU is "BHSR-02VS-1"
3. Cable is "KURABE 3633 AWG28"

| CUSTOMER APVL | CUSTOMER | DATE | TITLE |
|--------------------------------|----------|----------|----------|
| DRAWN | SCALE | MI0560DT | |
| DFTG CHK | UNIT | mm | |
| ENGR CHK | APPROVAL | MODEL | |
| MULTI-INNO TECHNOLOGY CO.,LTD. | | | DWG NO |
| | | | PAGE 1/1 |