

5	Pull Tape	1
4	Black Tape	2
3	FPC	1
2	IC	1
1	LCD	1
NO	Part Name	Quantity



MULTI-INNO TECHNOLOGY CO.,LTD.

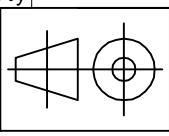
DRAWN:
2008-04-01

CHECKED:

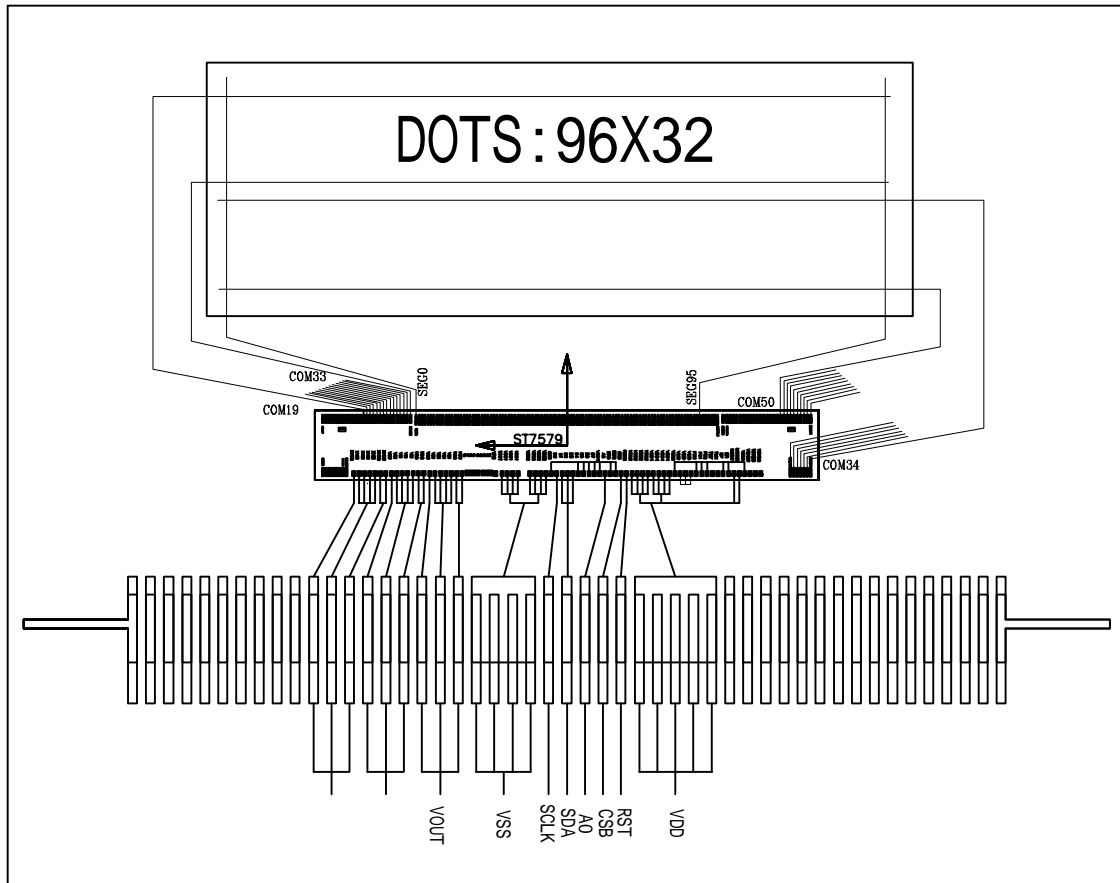
APPROVED:

LCM NO: MI9632E-G
DWG NO:

Rev: 00 UNITS: mm
SHEET 1 OF 2



Block Diagram:



Pin Description:

PIN	Symbol	Function Description
1	VOUT	倍压输出
2	VSS	地
3	SCLK	串行时序信号
4	SDA	串行数据信号
	A0	数据与指令选择信号
6	CSB	片选信号
	RST	复位输入
8 7	VDD	电源正

DISPLAY TYPE: FSTN, Transmissive, Negative
 VIEWING DIRECTION: 6:00
 DRIVER IC: ST7579
 LOGIC VOLTAGE: $3.0 \pm 0.1V$
 LCD DRIVE VOLTAGE(V_{lcd}): $6.3 \pm 0.2V$
 DRIVING METHOD: 1/33 DUTY, 1/7 BIAS
 OPERATING TEMPRATURE: $-10^{\circ} \sim +60^{\circ} C$
 STORAGE TEMPRATURE: $-20^{\circ} \sim +70^{\circ} C$
 INTERFACE CONNECTOR: COG+FPC
 ALL UNMARKED TOLERANCE: $\pm 0.3mm$

A00: 更改IC走线和FPC结构 'FPC做单层板
A04: 双面胶纸应该是贴在模块正面 '修改封口胶高度为6MAX
A03: 更改模块的厚度
A02: 更改撕保护膜胶纸的位置
A01: 更改FPC
A00: 首版
Revison History:



MULTI-INNO TECHNOLOGY CO.,LTD.

DRAWN:

2008-04-01

CHECKED:

APPROVED:

LCM NO: MI9632E-G

Rev: 00

UNITS: mm

DWG NO:

SHEET 2 OF 2

