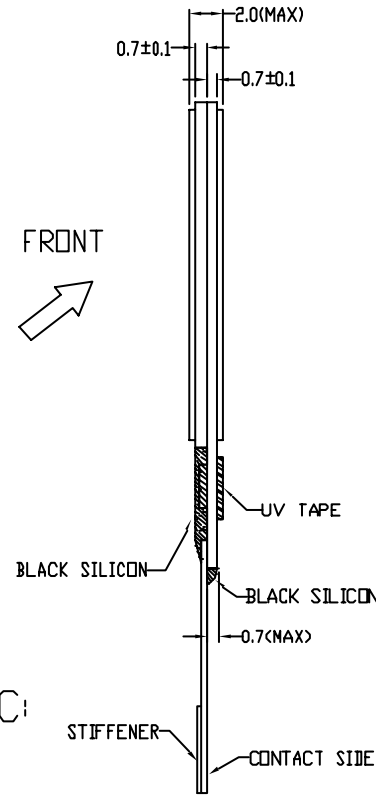
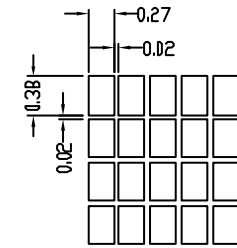


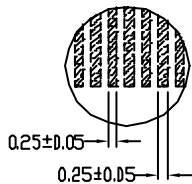
FRONT



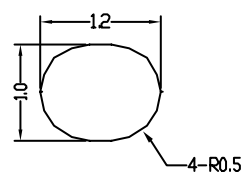
DETAIL A:



DETAIL C:



DETAIL B:



NO.	SYMBOL	NO.	SYMBOL
1	RESETB	10	C1-
2	CS2	11	C2+
3	RS	12	C2-
4	VDD	13	VR
5	SCLK	14	V0
6	SID	15	V1
7	VSS	16	V2
8	VOUT	17	V3
9	C1+	18	V4

- NOTES:
- 1. DISPLAY TYPE: FSTN
 - 2. VIEWING DIRECTION: 6:00
 - 3. POLARIZER MODE: TRANSFLECTIVE/POSITIVE
 - 4. DRIVE METHOD: 1/33 DUTY 1/6 BIAS
 - 5. LCD OPERATING VOLTAGE: 7.5V
 - 6. VDD=2.4~5.5V
 - 7. OPERATING TEMP.: -20°C~+70°C
 - 8. STORAGE TEMP.: -30°C~+80°C
 - 9. CONNECTOR: FPC
 - 10. CONTROLLER: S6B0715A11-B0CZ
 - 11. WITHOUT BACKLIGHT
 - 12. UNMARKED TOLERANCES: ±0.3mm