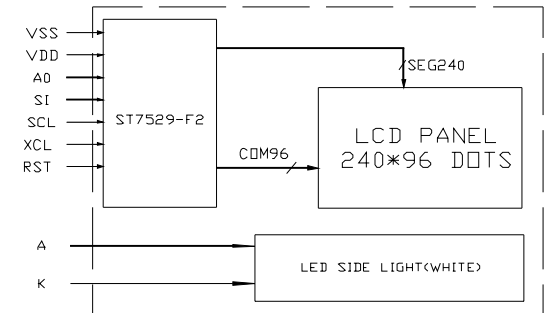


FFC

1	2	3	4	5	6	7	8	9	10
VSS	VDD	A0	SI	SCL	XCS	RST	NC	A	K



NOTES:

1. OPERATING TEMPERATURE: -0°C TO 50°C  
STORAGE TEMPERATURE: -20°C TO 60°C
2. LCD MODEL: FSTN/TRANSMISSIVE/NEGATIVE
3. 1/96 DUTY, 1/10 BAIS, VDP=13.5V, VDD=3.3V
4. VIEWING ANGLE: 9:00 O'CLOCK
5. LED B/L: WHITE, (Vled=3.2V, IF=40mA)
6. ROHS COMPLIANT