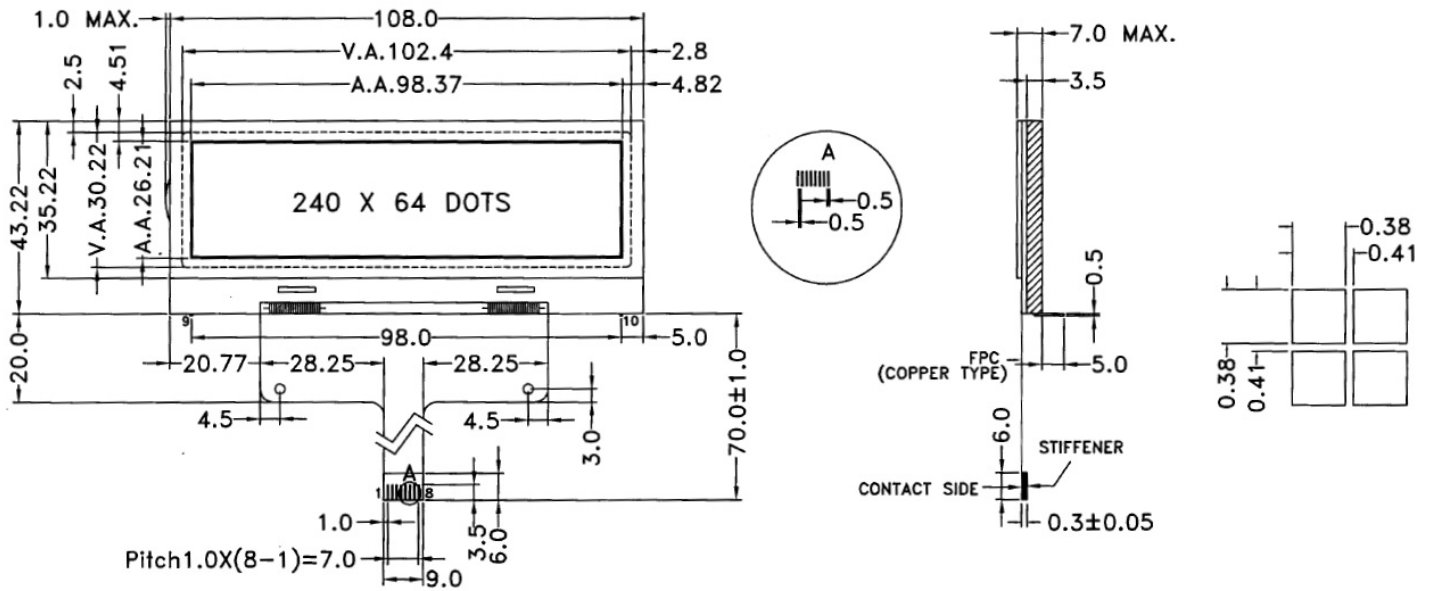


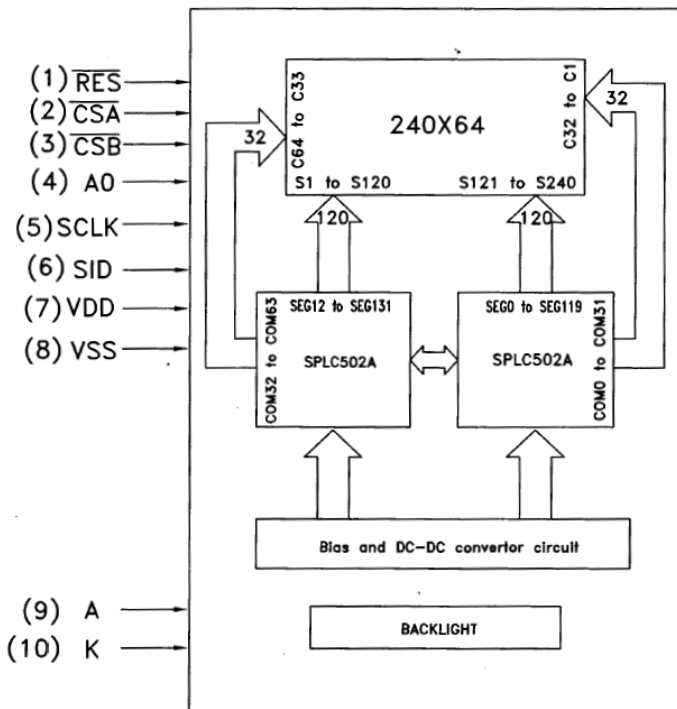


# MI24064K-G

OUTLINE DIMENSION:



BLOCK DIAGRAM & PIN DESCRIPTION:



PIN NO.	SYMBOL	FUNCTION
1	RES	Reset
2	CSA	Master Chip select signal
3	CSB	Slave Chip select signal
4	AO	Data control signal
5	SCLK	Serial input clock
6	SID	Serial input data
7	VDD	Supply voltage for logic
8	VSS	Ground
9	A	Supply voltage for backlight (+V)
10	K	Supply voltage for backlight (-V)