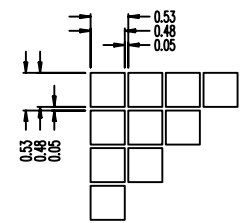
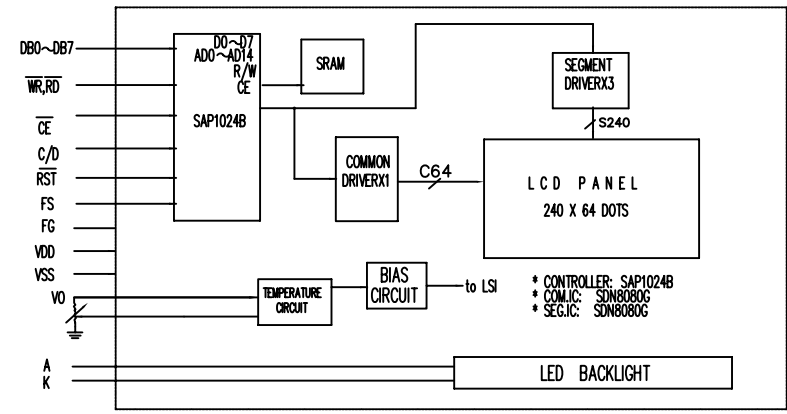


CNI

1	2	3	4	5	6	7	8	9	10	11	12	13	14	15	16	17	18	19	20
FG	VSS	VDD	VO	WR	RD	CE	C/D	A	RST	DB0	DB1	DB2	DB3	DB4	DB5	DB6	DB7	FS	K



NOTES:

- OPERATING TEMPERATURE: -20°C TO 70°C
STORAGE TEMPERATURE: -30°C TO 80°C
- LCD MODEL: FSTN/POSITIVE/TRANSMISSIVE
- 1/64 DUTY, 1/9 BIAS, VOP=11.0V, VDD=5.0V; VO=-5.5V
- VIEWING ANGLE: 6:00 O'CLOCK
- LED B/L: YELLOWGREEN (Vled=4.1+/-0.3V, Iled=500mA)
- ROHS COMPLIANT
- BEZEL IS TO BE PAINTED BLACK
- (*):** REFERENCE

NO.		NAME		QTY	Part No.	VENDOR && NOTE	
CUSTOMER APPROVE				液晶显示模块		MULTI-INNO TECHNOLOGY CO.,LTD.	
Mechanical	Electrical	△			PRODUCT NO.	DRAW NO.	REV
		△	增加VO等	2007/10/25		MI24064C-2	C
		△	修改LCD VOP	2007/10/19			
		△		2007/10/18			
		NO.	CONTENT	DATE			
				TOLERANCE: DECIMAL .x ± .30 .xx ± .20 ∠ ± 1/4°	DWN	DSN	
					CHKD	APPD	
					NOT IN SCALE	UNIT mm	SHEET: