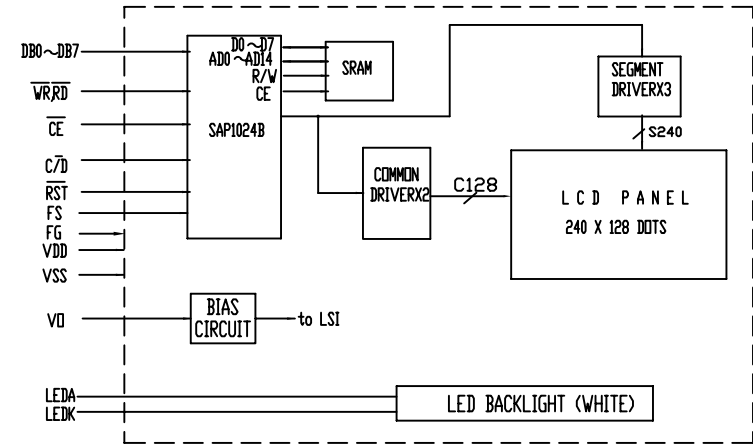


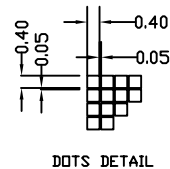
PIN DESCRIPTION OF INTERFACE

| | | | | | | | | | | | | | | | | | |
|----|-----|-----|----|----|----|----|-----|-----|-----|-----|-----|-----|-----|-----|-----|-----|----|
| 1 | 2 | 3 | 4 | 5 | 6 | 7 | 8 | 9 | 10 | 11 | 12 | 13 | 14 | 15 | 16 | 17 | 18 |
| FG | VSS | VDD | VO | WR | RD | CE | C/D | RST | DB0 | DB1 | DB2 | DB3 | DB4 | DB5 | DB6 | DB7 | FS |



NOTES:

- 1: OPERATING TEMPERATURE: 0°C TO 50°C
STORAGE TEMPERATURE: -10°C TO 60°C
2. LCD MODEL: FSTN/POSITIVE/TRANSFLECTIVE
3. DUTY=1/128, BAIS=1/12, VDD=5.0V, Vlcd=20V
4. BACKLIGHT: WHITE LED, (Vf=5V, If=80mA)
5. ROHS COMPLIANT



| | | | | | | | | |
|------------------|------------|-------|----------------|--|-------------|--------------|------|----------------|
| CUSTOMER APPROVE | | AMEND | | MULTI-INNO TECHNOLOGY CO.,LTD. | | | | |
| Mechanical | Electrical | △ | | TOLERANCE: DECIMAL .x ± .50 .xx ± .30 ∠ ± 1/4° | PRODUCT NO. | DRAW NO. | REV | |
| | | △ | 修改接口 | | 2007/12/12 | MI240128A-8 | | D |
| | | △ | 去掉原理图中的升压和温控电路 | | 2007/11/23 | DWN | DSN | |
| | | △ | 修改尺寸 | | 2007/11/20 | CHKD | APPD | |
| | | NO. | CONTENT | | DATE | NOT IN SCALE | | UNIT mm SHEET: |