

GENERAL DESCRIPTION

- Display mode : 320 x 240 dots, graphic TAB LCD module; Reflective/No backlight.
- Interface : 4-bit parallel
- Driving method : 1/240 duty, 1/15 bias
- Backlight : No backlight default(as figure1), White/Blue side-lited LED, EL optional
- Controller IC : Novatek NT7701H,NT7702H or equivalent

For the detailed information, please refer to the IC specifications.

Figure1. OUTLINE DIMENSION (no backlight version)

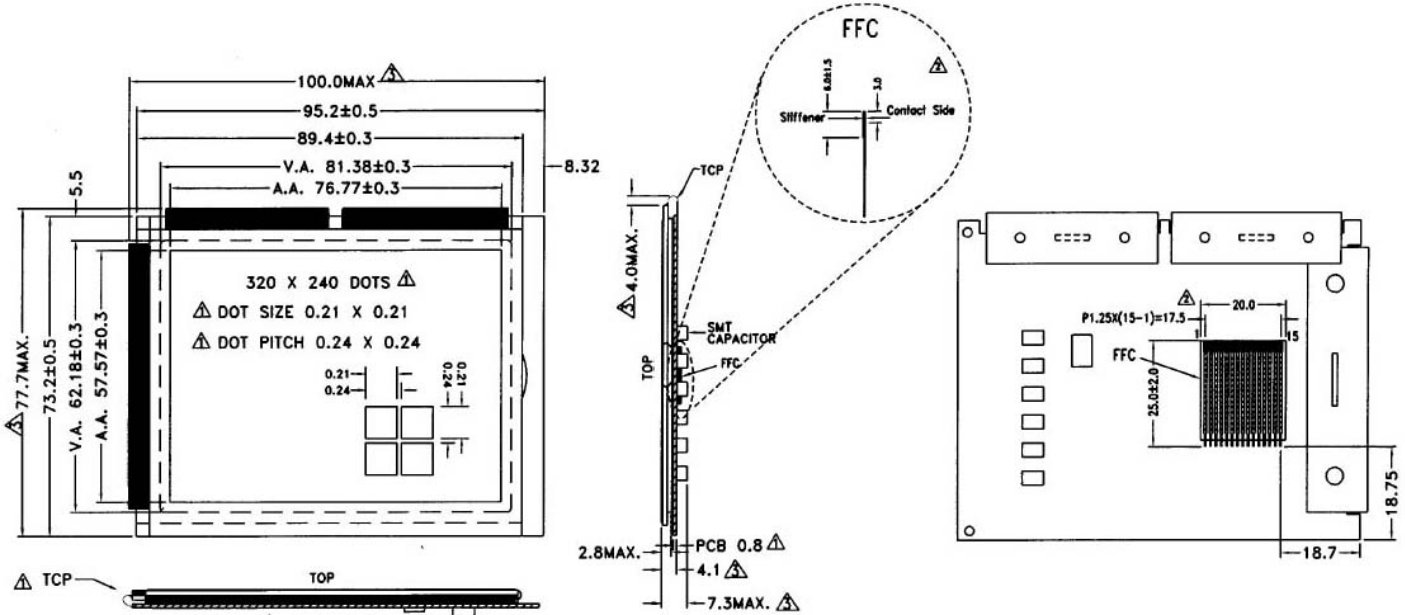
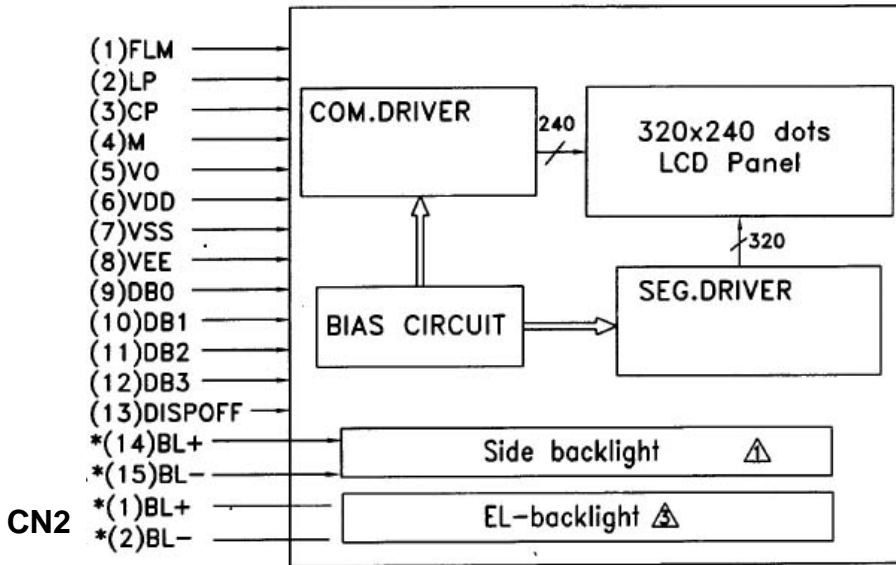


Figure2. BLOCK DIAGRAM:



BL+,BL- Pins are for EL backlight or side-lited backlight versions only

CN2 Pin(1),(2) are for EL backlight versions only

pin	1	2	3	4	5	6	7	8
symbol	FLM	LP	CP	M	VO	VDD	VSS	VEE
pin	9	10	11	12	13	14	15	-
symbol	DB0	DB1	DB2	DB3	DISPOFF	BL-	BL+	-
CN2	Pin1		BL+		Pin2		BL-	