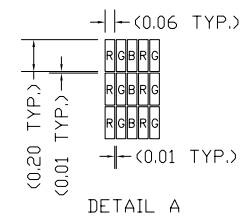
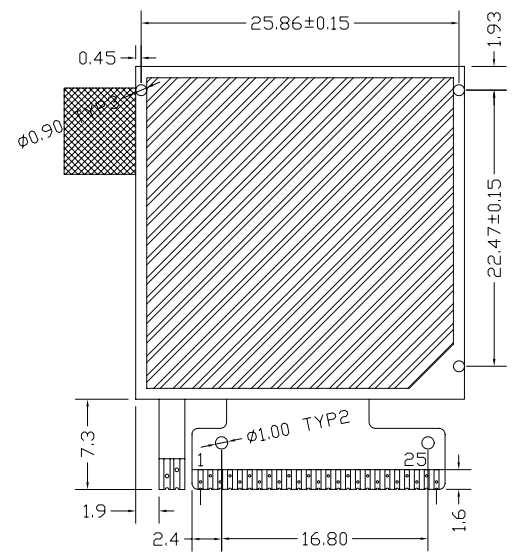
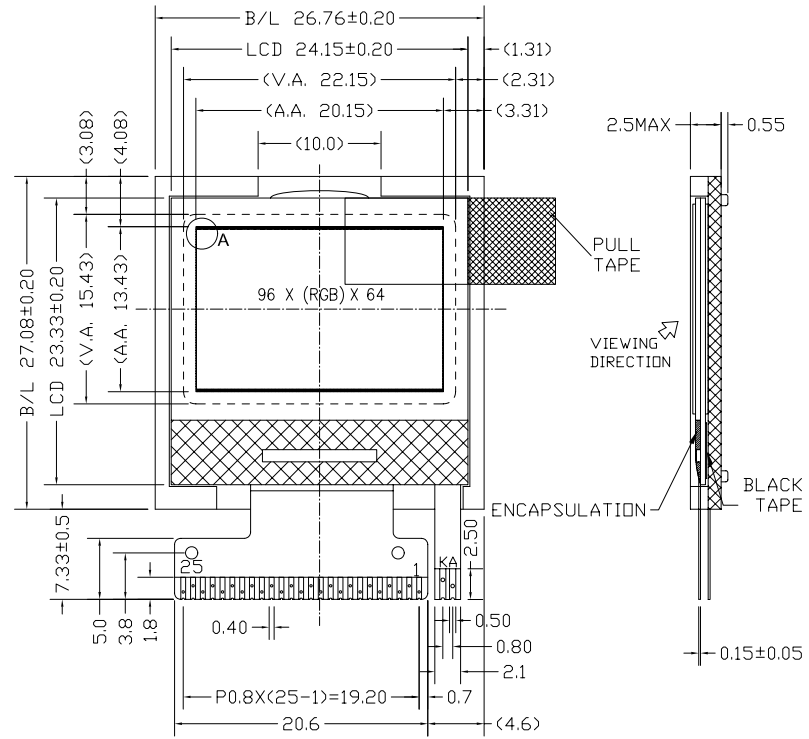


ISSUE	AMENDMENT	DATE



DISPLAY TYPE	0.95" CSTN, +VE, TRANSMISSIVE, 56K COLOR
DISPLAY RESOLUTION	96 X RGB X 64
VIEWING ANGLE	6 O' CLOCK
MUX RATIO& BIAS	1/64 DUTY
LCD CONTROLLER/DRIVER	UC1681U
LOGIC VOLTAGE	TBD
LCD DRIVING VOLTAGE	TBD
OPERATING TEMPERATURE	-20°C TO +70°C
STORAGE TEMPERATURE	-30°C TO +80°C
REMARK	

**TITLE: LCM Module Specification**

**PROJECT NO: MI9664FK**

**CUSTOMER REF:**

TOLERANCE UNLESS OTHERWISE SPECIFIED:	X.X ±0.3 X.XX ±0.1
DIMENSIONS IN MM	ANGULAR: ±1°
MATERIAL: N/A	FINISH: N/A
SCALE: DO NOT DN SCALE	OVERALL THK: N/A

**THIRD ANGLE PROJECTION**

NAME	SIGN	DATE
DRAWN:		07.08.22
CHECKED:		
APPROVED:	HENRY HE	

**ITEM NO.: MI9664FK**

**DESCRIPTION:**

**FILE NO:** **REV: 0**

**SHEET 1 OF 1**

1	2	3	4	5	6	7	8	9	10	11	12	13
CS0	RST	CD	WRO	WR1	DO	D1	D2	D3	D4	D5	D6	D7
14	15	16	17	18	19	20	21	22	23	24	25	
VDD	GND	NC	NC	NC	NC	NC	VBO-	VBO+	VB1-	VB1+	VLCD	

- NOTES:**
- 1. ◊ : SPECIAL CHARACTERISTIC
  - 2. + : SAFETY CHARACTERISTIC
  - 3. ▽ : CRITICAL DIMENSION
  - 4. (.) : REFERENCE DIMENSION

**MUTLI-INNO TECHNOLOGY CO.,LTD.**