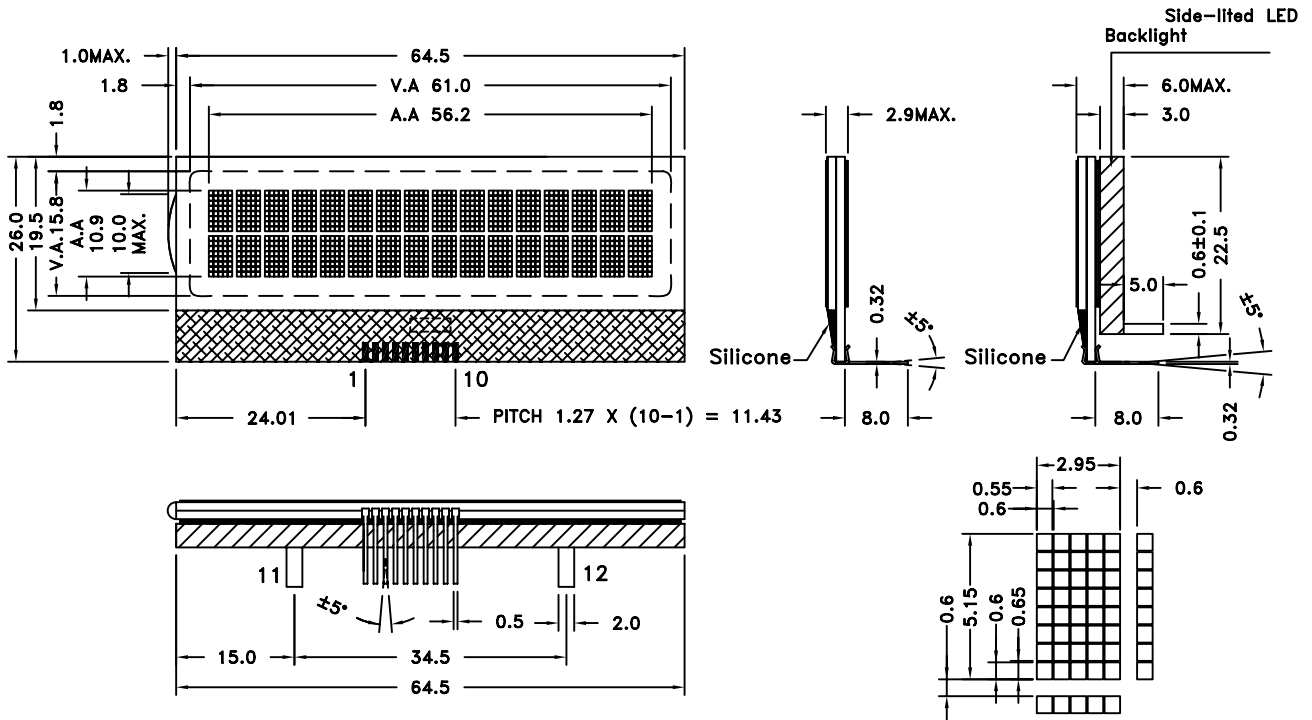


OUTLINE DRAWING:



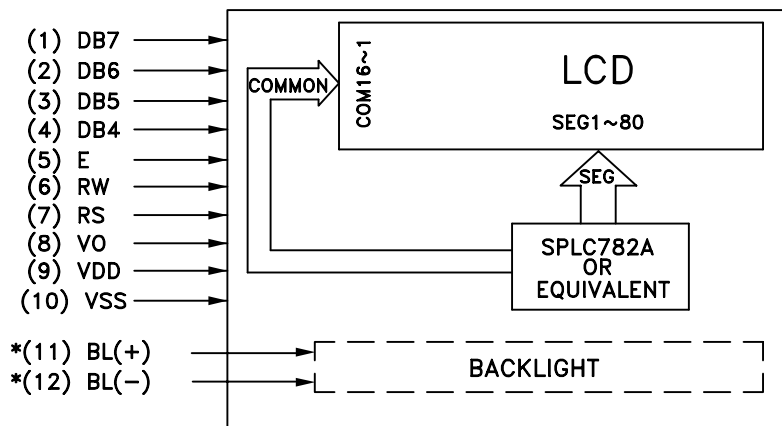
General Description:

Display mode : 16 characters x 2 lines, COG LCD module.
 Display type : FSTN/STN, Transflective, Positive.
 Interface : 4 bit parallel
 Driving method : 1/16 duty, 1/5 bias
 Controller IC : Sunplus SPLC782A or equivalent
 V_{DD} : 5.0V
 Back light : White, Y/G, Blue Side Lited LED optional

Connector Pin Assignment :

Pin	1	2	3	4	5
Symbol	DB7	DB6	DB5	DB4	E
Pin	6	7	8	9	10
Symbol	RW	RS	V0	VDD	VSS

Block Diagram:



* Backlight: White , Blue VBL=3.1V @ 45mA
 Yellow/Green VBL=2.0V @ 45mA