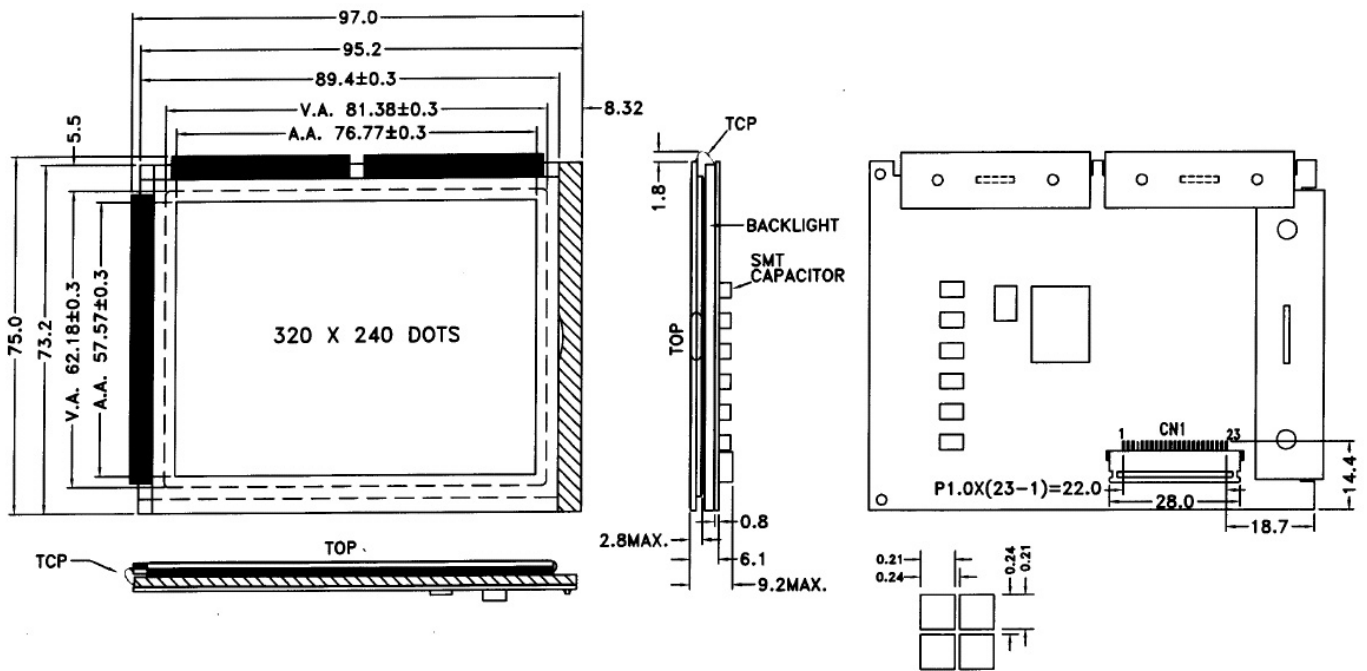




MI320240U-T

EXTERNAL DIMENSIONS :

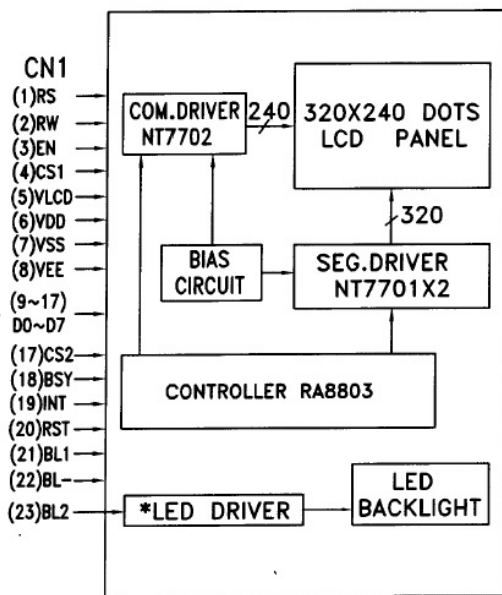


GENERAL DESCRIPTION:

- Display mode : 320 x 240 dots, graphic TAB LCD module
- Interface : 4-bit or 8-bit parallel
- Driving method : 1/240 duty, 1/15 bias
- Controller IC : RA10 RA8803 For the detailed information, please refer to the IC specifications.

BLOCK DIAGRAM:

PIN ASSIGNMENT:



CN1

PIN NO.	SYMBOL	FUNCTION
1	RS	Register select
2	RW	Write signal
3	EN	Read signal
4	CS1	Chip enable
5	VLCD	Contrast Adjustment for LCD
6	VDD	Supply Voltage for Logic(VDD)
7	VSS	Power supply(ground)
8	VEE	Supply Voltage for LCD
9	D0	Data bus
10	D1	
11	D2	
12	D3	
13	D4	
14	D5	
15	D6	
16	D7	
17	CS2	Chip enable
18	BSY	Busy signal
19	INT	Interrupt signal
20	RST	Reset
21	BL1	Power supply for backlight(+3.6V)
22	BL-	Power supply for backlight(-VE)
23	BL2	Power supply for converter (+5V)

NOTE:
*LED DRIVER USED FOR BL2 ONLY